

### Features

- Required for Memoirs® wall-mount Touchless faucet trims.
- 0.5 gal/min (1.9 l/min) flow rate.
- On demand on and off. 30 second maximum cycle time.
- Ideal for use with KOHLER Vessels.

### Material

- Brass construction.

### Technology

- Insight™ adaptive infrared technology.
- Does not require battery or power cell.

### Installation

- Requires AC plug-in power supply.
- Adjustable sensor/spout distance.
- Valve control box includes stop valve therefore it can be connected to waterline directly. Does not require additional stop valve
- 13480-A and 13481-A power supplies are designed for North America outlets. For international outlets please use 13480 and 13481.

### Required Products/Accessories

K-13480 AC Single Supply

or

K-13480-A AC Single Supply

or

K-13481 Multi-Outlet Power Supply

or

K-13481-A Multi-Outlet Power Supply



ADA

CSA B651

OBC

### Codes/Standards

ASME A112.18.1/CSA B125.1

NSF/ANSI 372

ADA

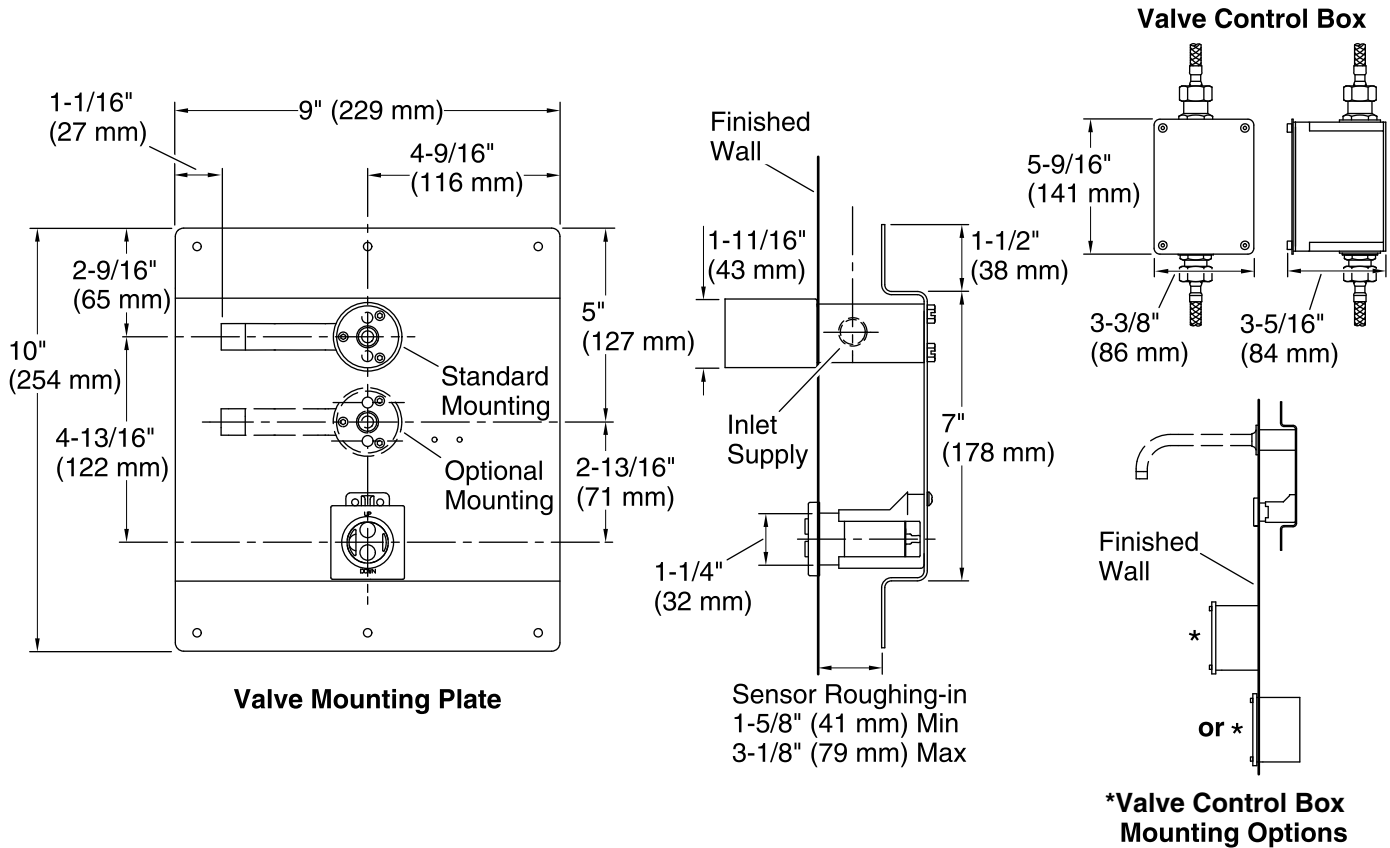
ICC/ANSI A117.1

CSA B651

OBC

### KOHLER® One-Year Limited Warranty

See website for detailed warranty information.



### Technical Information

All product dimensions are nominal.

Power source: Hardwire - AC, not included

### Faucet:

Flow rate: 0.5 gal/min (1.9 l/min)

Pressure: 45 psi (3.1 bar)

### Notes

Install this product according to the installation instructions.

Reference the installation instructions for specific framing information.

Requires an AC power supply (not included).

For use with faucet trim K-T11838.

Valve control box can be installed in the wall or on the wall.

ADA, OBC, CSA B651 compliant when installed to the specific requirements of these regulations.