

KOHLER® Faucets

Pull-out laundry and utility sink faucet with two-function sprayhead
Simplice®
K-22035

Features

- Two-function pull-out sprayhead with touch-control allows you to switch from aerate to Sweep® spray
- Fast flow provides a powerful rise and quickly fills basins and buckets
- Pull-out spout provides flexibility, reaching beyond the sink
- 120° spout rotation offers flexible water containment within sink space
- MasterClean™ sprayface features an easy-to-clean surface that withstands mineral buildup and maximizes spray performance
- KOHLER® ceramic disc valves exceed industry longevity standards for a lifetime of durable performance
- Single-handle operation facilitates flow and temperature control
- Large spray setting button helps easily transition between spray functions
- 4.0 gpm (15.1 lpm) maximum flow rate at 20 psi (1.3 bar)

Material

- Premium metal construction for durability and reliability
- KOHLER finishes resist corrosion and tarnishing

Installation

- Three-hole installation on 4" centers



Codes/Standards

ASME A112.18.1/CSA B125.1
NSF/ANSI/CAN 61
NSF/ANSI/CAN 372
NOM Standards
NOM 012-CONAGUA

KOHLER® Faucet Lifetime Limited Warranty

See website for detailed warranty information.

Available Colors/Finishes

Color tiles intended for reference only.

Color	Code	Description
	CP	Polished Chrome
	VS	Vibrant® Stainless
	BL	Matte Black
	2MB	Vibrant® Brushed Moderne Brass

1-800-4KOHLER (1-800-456-4537)

Kohler Co. reserves the right to make revisions without notice to product specifications.

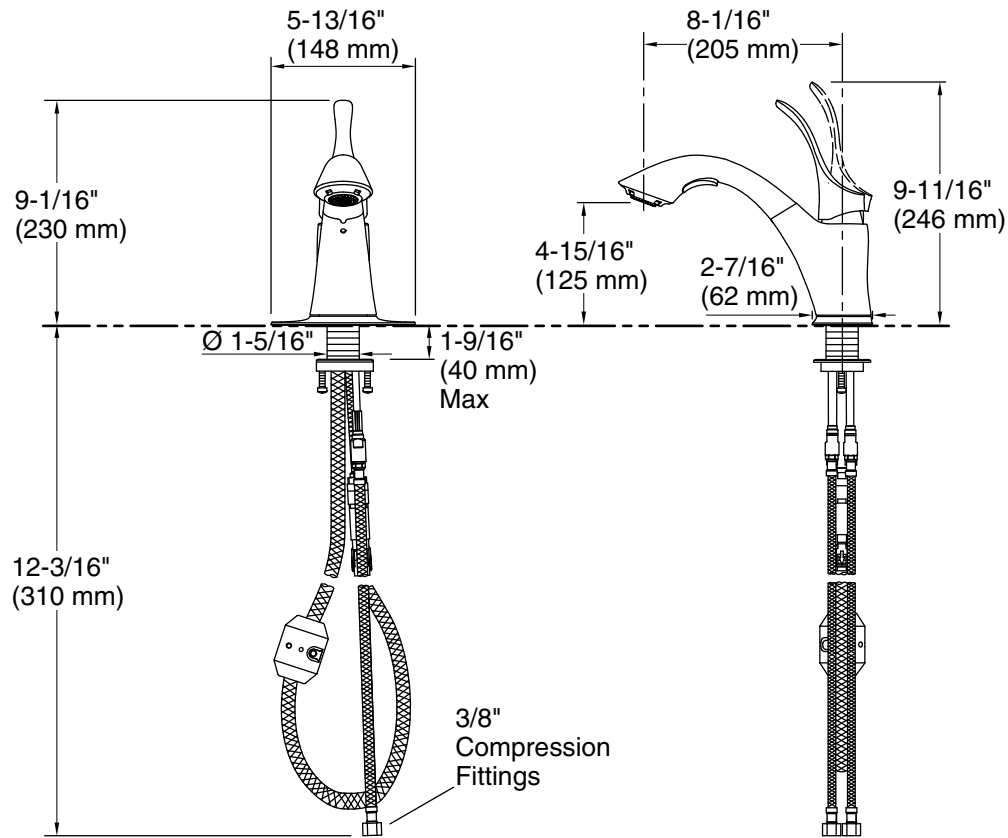
For the most current Specification Sheet, go to www.kohler.com USA or www.kohler.ca Canada

2-26-2026 21:24 - US/CA

THE BOLD LOOK
OF **KOHLER®**

KOHLER Faucets

Pull-out laundry and utility sink faucet with two-function sprayhead
Simplice®
K-22035



Technical Information

All product dimensions are nominal.

Faucet flow rate: 4 gal/min (15.1 l/min)

Spout:

Spout reach: 8" (204 mm)

Notes

Install this product according to the installation instructions.

Faucet contains all necessary parts for both single-hole and three-hole installations.