

Features

- Traditional styling coordinates with many faucet designs
- Easy operation with one-touch spray actuation
- Enhanced ergonomics and maneuverability with balljoint technology
- MasterClean™ sprayface features an easy-to-clean surface that withstands mineral buildup and maximizes spray performance
- Includes nylon hose and holder for side sprayer
- Deep rough-in kit available [1030920]

Optional Products/Accessories

1030920 Side Spray Deep Rough-In



Codes/Standards



ASME A112.18.1/CSA B125.1
NSF/ANSI/CAN 61
NSF/ANSI/CAN 372

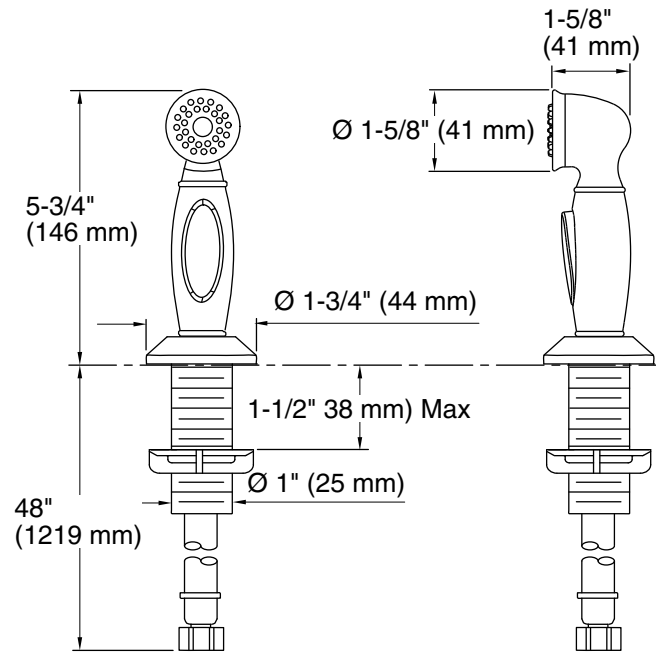
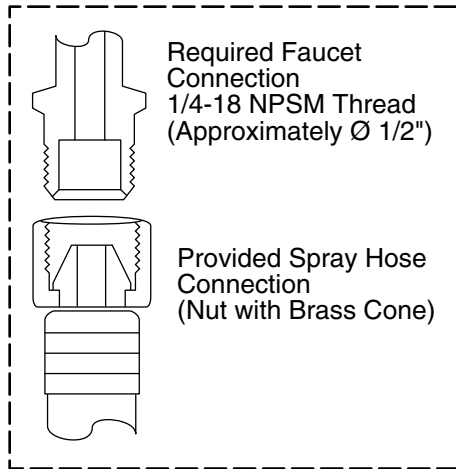
KOHLER® Faucet Lifetime Limited Warranty

See website for detailed warranty information.

Available Colors/Finishes

Color tiles intended for reference only.

Color	Code	Description
	CP	Polished Chrome
	BN	Vibrant® Brushed Nickel



Technical Information

All product dimensions are nominal.

Spout:

Notes

Install this product according to the installation instructions.