

Features

- Handshower holder pivots and rotates to position handshower at desired angle
- For use with a handshower and hose (sold separately)
- Includes check valve for backflow prevention
- Includes supply elbow. Integrated supply and holder reduces the number of components needed in the shower space, allowing for a cleaner look
- Coordinates with other products in the Artifacts collection

Material

- Premium metal construction for durability and reliability
- KOHLER finishes resist corrosion and tarnishing

Installation

- Wall-mount



Codes/Standards





ASME A112.18.1/CSA B125.1

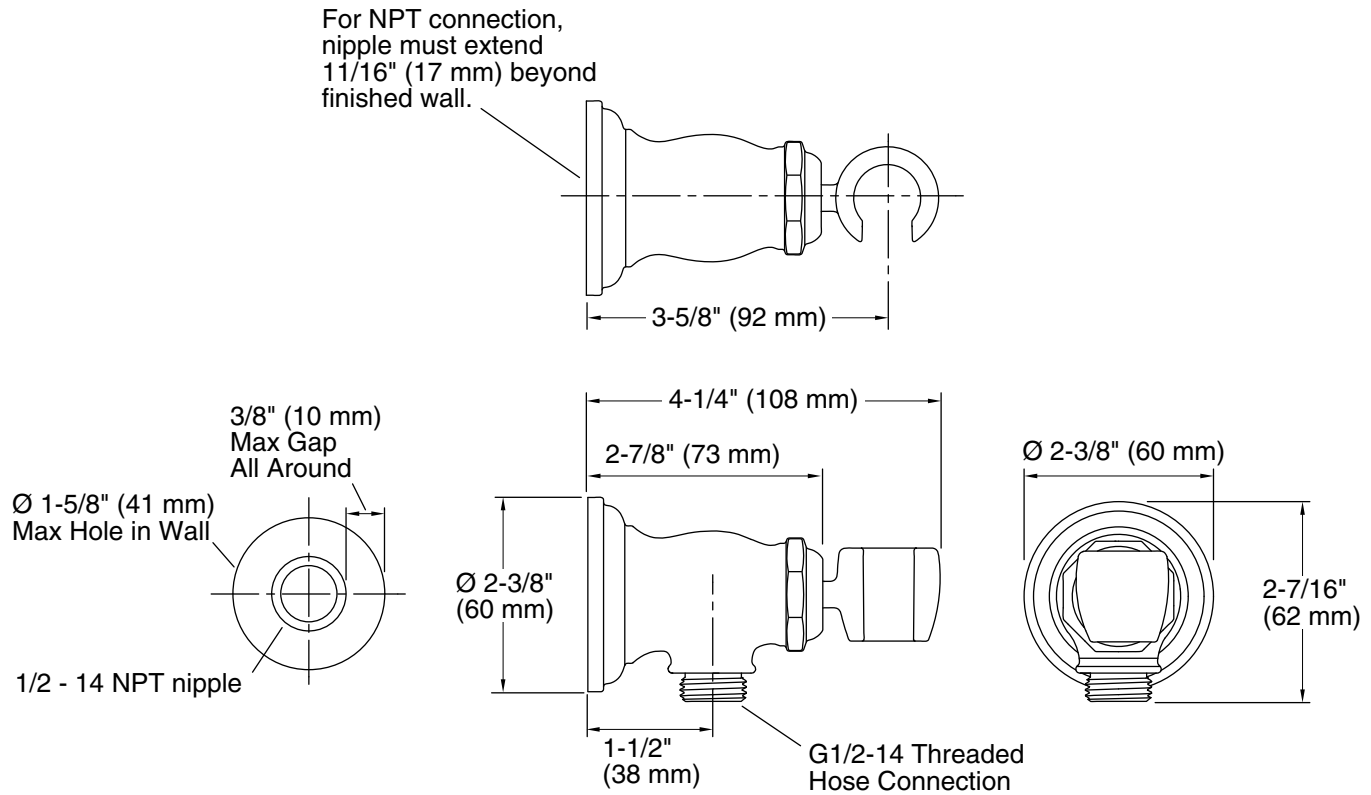
KOHLER® Faucet Lifetime Limited Warranty

See website for detailed warranty information.

Available Colors/Finishes

Color tiles intended for reference only.

| Color | Code | Description |
|---|------|--------------------------|
|  | CP | Polished Chrome |
|  | SN | Vibrant® Polished Nickel |
|  | BN | Vibrant® Brushed Nickel |
|  | BL | Matte Black |
|  | DR | Deep Bronze |



Technical Information

All product dimensions are nominal.

Notes

Install this product according to the installation guide.

Installs using a 1/2"-14 NPT nipple (not supplied).