

### Features

- 0.5 gpm (1.9 lpm) maximum flow rate
- Factory-set 30-second maximum continual run cycle
- Vandal-resistant aerator
- 24" (610 mm) flexible supply hose for easy installation
- Less drain
- Includes two AAA batteries

### Material

- Brass

### Technology

- Electronic Insight™ sensor technology for accurate and consistent activation

### Installation

- Single-hole mounting
- Above-counter valve for easy installation and maintenance

### Recommended Products/Accessories

K-23726 Drain treatment

### Optional Products/Accessories

1160595 .35 gpm Aerator, Medium  
1075455 Medium Spray 0.5 gpm (1.9 l/min)  
1139284 Medium Aerated 1.0 gpm (3.8 l/min)  
1139285 Medium Laminar 1.0 gpm (3.8 l/min)  
1097180 Medium Aerated 1.5 gpm (5.7 l/min)  
1104546 Medium Laminar 1.5 gpm (5.7 l/min)  
79441 Sealing Washer



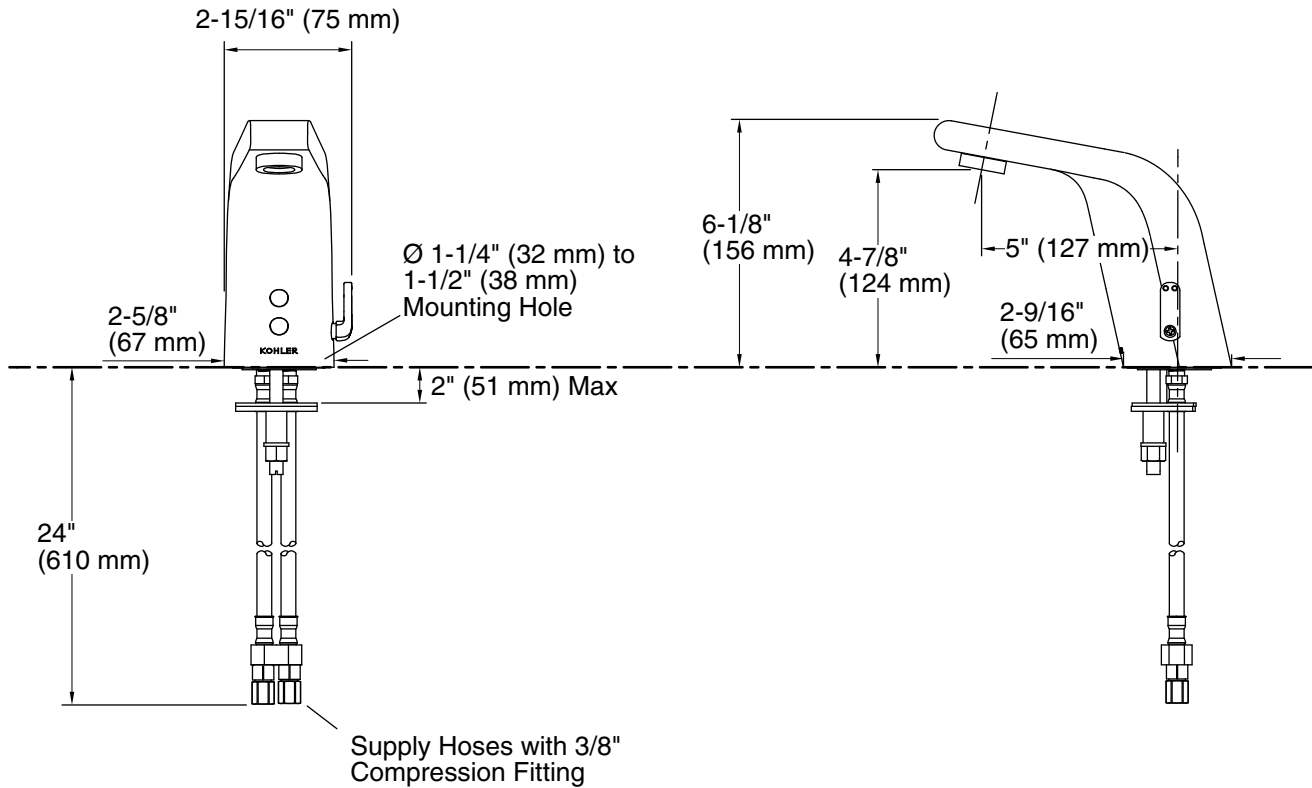
**ADA** **CSA B651** **OBC**

### Codes/Standards

ASME A112.18.1/CSA B125.1  
NSF/ANSI/CAN 372  
DOE - Energy Policy Act 1992  
ADA  
ICC/ANSI A117.1  
CSA B651  
OBC  
NOM Standards  
NOM 012-CONAGUA

### **KOHLER® One-Year Limited Warranty**

See website for detailed warranty information.



### Technical Information

All product dimensions are nominal.

Power source: Battery - DC, included

Faucet flow rate: 0.5 gal/min (1.9 l/min)

### Spout:

Spout reach: 5" (127 mm)

### Notes

Install this product according to the installation guide.

A 1-1/4" (32 mm) minimum to 1-1/2" (38 mm) maximum diameter mounting hole is required.

The minimum distance between the back of the faucet spout and the wall must be 1-3/4" (44 mm). This will allow proper clearance for setscrew access.

The maximum distance between the bathroom sink basin edge to the base of the faucet spout must be 1-3/4" (44 mm).

The maximum height of the lip basin should be 3/4" (19 mm).

Product includes rosebud spray aerator. Other aerator styles are available.

ADA, OBC, CSA B651 compliant when installed to the specific requirements of these regulations.