

### Features

- Urinal strainer with china grate
- For vitreous china urinal stall
- For caulking 2" iron pipe or soldering 2" lead pipe

### Material

- Solid-brass construction for durability and reliability

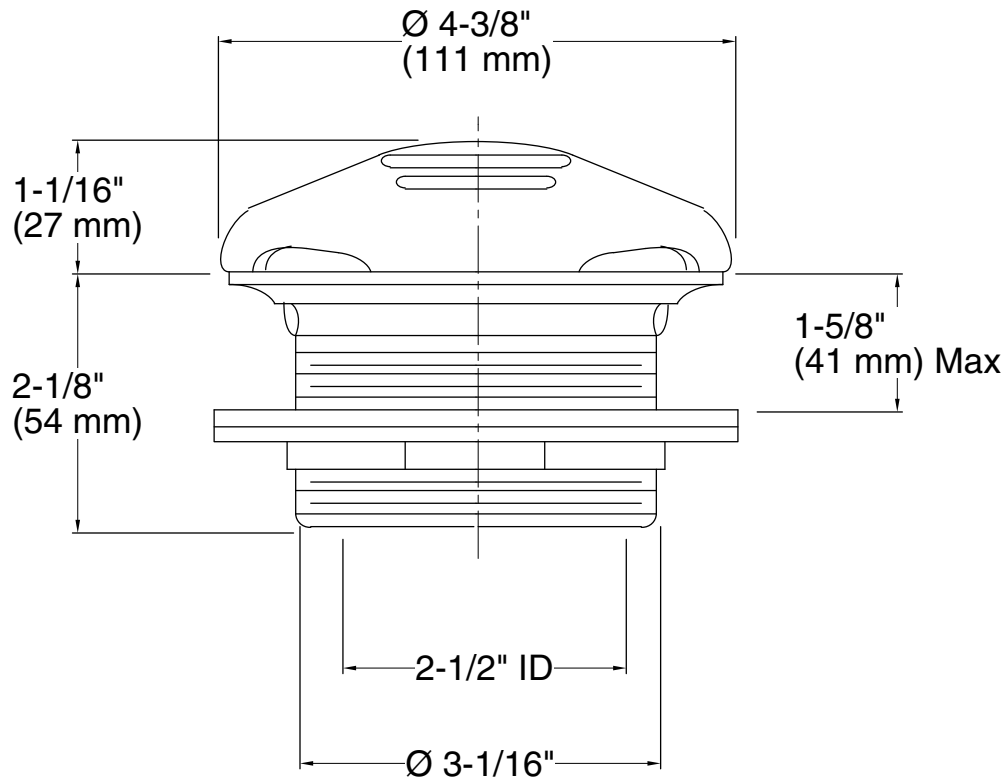


### Codes/Standards

ASME A112.18.2/CSA B125.2

### KOHLER® One-Year Limited Warranty

See website for detailed warranty information.



### Technical Information

All product dimensions are nominal.

Material: Brass, Brass, Brass

### Notes

Install this product according to the installation instructions.