

Features

- For baths 14" – 21" (356 – 533 mm) deep from center of bath overflow outlet to center of bath drain outlet
- 30" (762 mm) length external cable
- Flexible overflow joint conforms to various bath angles
- No internal linkages, reducing the potential for clogging
- For use with any PureFlo rotary or push hand controls and pop-up drain stopper kit (sold separately)
- Flexible overflow neck fits various bath angles for easy installation
- Includes a tee, drain ell, and overflow ell

Material

- Metal construction control handle and stopper

Installation

- Above- or through-the-floor

Required Products/Accessories

K-T37391 Rotary-turn bath drain trim

or

K-T37392 Rotary-turn bath drain trim

or

K-T37393 Traditional rotary-turn bath drain trim

or

K-T37395 Bath drain trim

or

K-T37396 Traditional push-button bath drain trim

Recommended Products/Accessories

K-23726 Drain treatment

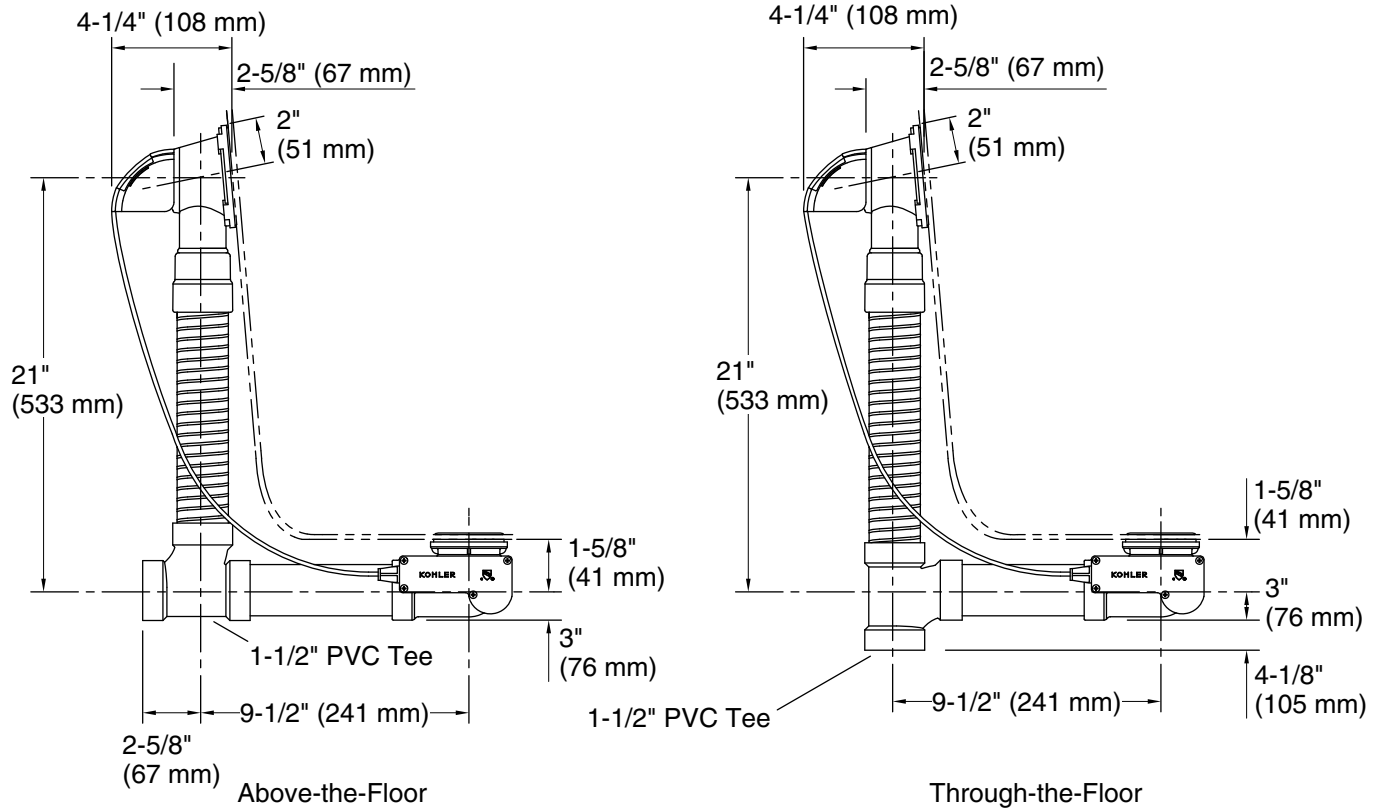


Codes/Standards

ASME A112.18.2/CSA B125.2

KOHLER® One-Year Limited Warranty

See website for detailed warranty information.



Technical Information

All product dimensions are nominal.

Material: Acrylic

Notes

Install this product according to the installation guide.

The combined length of the vertical tubing (supplied) and horizontal tubing (not supplied) after being cut for the bath installation must be equal to or less than 25" (635 mm) for 30" (762 mm) cable bath drain.