



Strive®
15" undermount bar sink
K-5287

Features

- 18" (457 mm) minimum base cabinet width
- Single bowl
- 9" (229 mm) depth provides generous workspace
- Rear drain increases workspace in the sink and allows for more storage space underneath the sink
- Includes a bottom sink rack and installation hardware
- Rounded 10mm corners are easy to clean

Material

- Premium 16-gauge stainless steel

Installation

- Undermount

Recommended Products/Accessories

- K-23726 Drain treatment
- K-23729 Stainless steel cleaner
- K-11352 Disposal Flange with Stopper
- K-8801 Sink drain and strainer with tailpiece
- K-8799 Sink drain and strainer basket

Included Components

- K-6447 Sink Rack



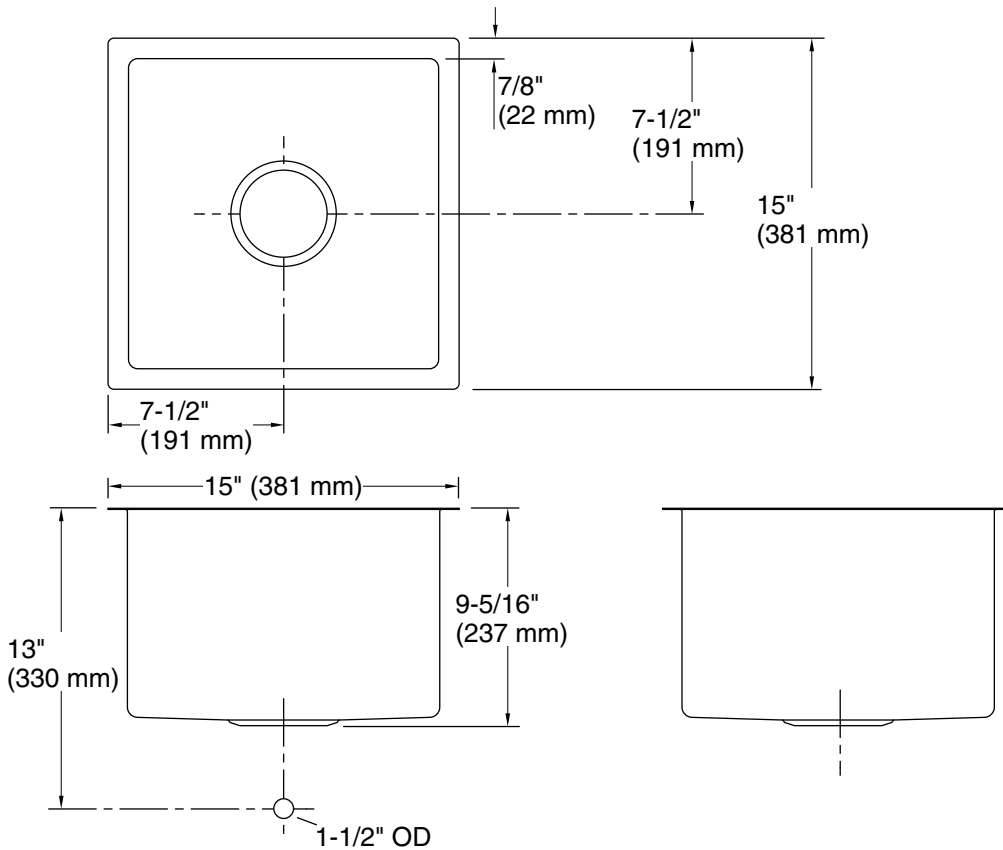
ADA

Codes/Standards

ASME A112.19.3/CSA B45.4
ADA
ICC/ANSI A117.1

**KOHLER® Stainless Steel Sinks
Lifetime Limited Warranty**

See website for detailed warranty information.



Technical Information

All product dimensions are nominal.

Basin configuration: Single Bowl
Min. base cabinet width: 18" (457 mm)

Bowl area (Basin #1):
Length: 13-1/4" (337 mm)
Width: 13-1/4" (337 mm)
Bowl depth: 9-5/16" (237 mm)
Water depth: 9" (229 mm)

Drain hole: 3-11/16" (94 mm)

Template: Undermount, 1207219-7, required, included

Notes

Install this product according to the installation instructions.

ADA compliant when installed to the specific requirements of these regulations.

ADA permits a parallel approach to wet bars.