



**Lustra™**  
Round-front toilet seat with check hinge  
**K-4680-C**

**Features**

- KOHLER® plumbing products combine beautiful form and reliable function
- Round open-front seat
- Check hinge

**Material**

- Polypropylene



**Codes/Standards**

IAPMO/ANSI Z124.5


**KOHLER® One-Year Limited  
Warranty**

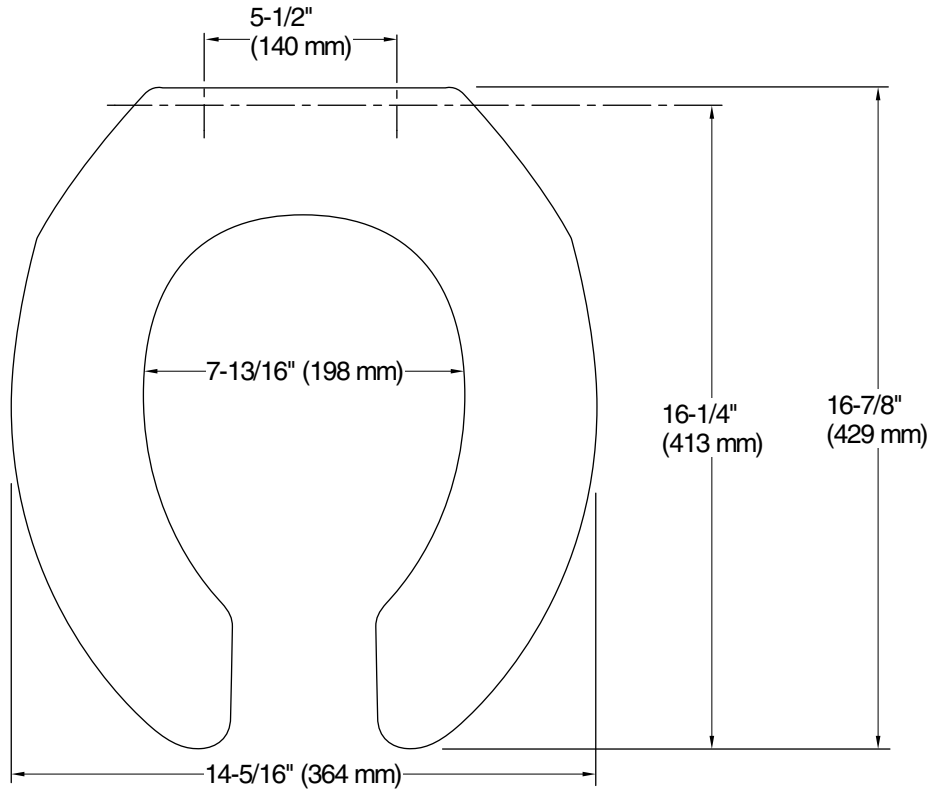
See website for detailed warranty information.

**Available Colors/Finishes**

*Color tiles intended for reference only.*

**Color Code Description**

	0	White
---	---	-------



### Technical Information

All product dimensions are nominal.

Seat shape type: Round-front  
Seat front type: Open-front  
Seat hinge type: Check  
Seat-mounting holes: 5-1/2" (140 mm)

### Pressure/fixture Supply Requirements

### Notes

Install this product according to the installation instructions.