



**Expanse®**  
60" x 30" alcove bath, left drain  
**K-1118-LA**

**Features**

- Curved basin creates a comfortable bathing experience
- Integral flange helps prevent water from seeping behind wall and simplifies alcove installation
- Textured bottom surface

**Material**

- Acrylic

**Installation**

- Left drain
- Alcove

**Recommended Products/Accessories**

- K-7213 27" Cable Bath Drain
- K-7214 27" Cable Bath Drain
- K-7259 Brass toe tap bath drain



**Codes/Standards**

- CSA B45.5/IAPMO Z124
- ASTM E162
- ASTM E662


**KOHLER® Plastic Baths and Shower Bases Lifetime Limited Warranty**

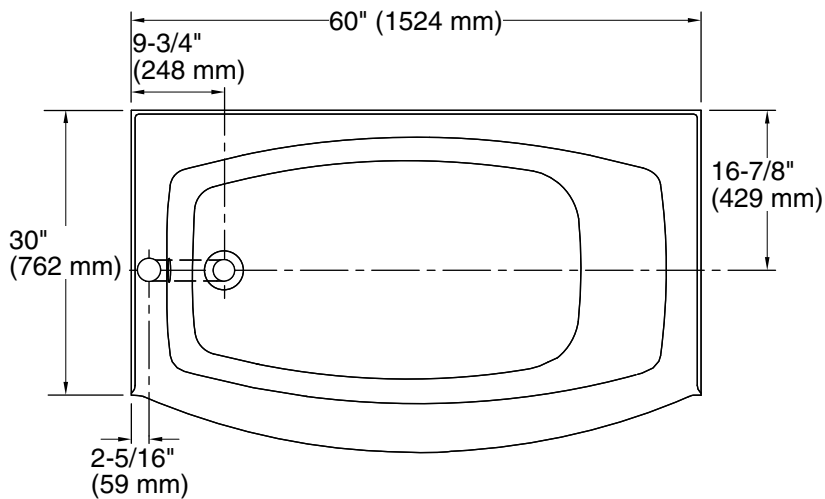
See website for detailed warranty information.

**Available Colors/Finishes**

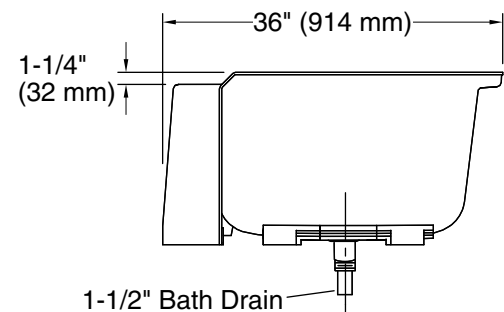
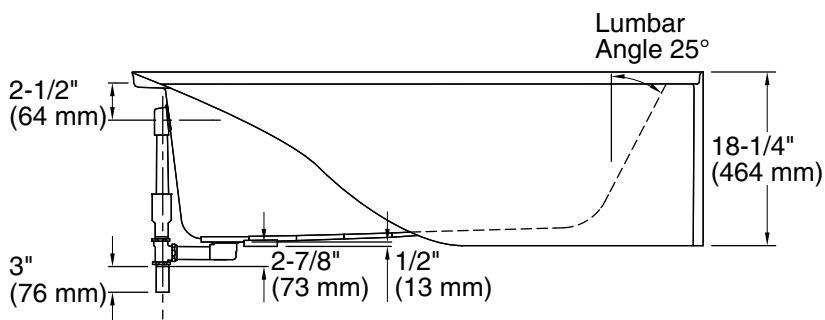
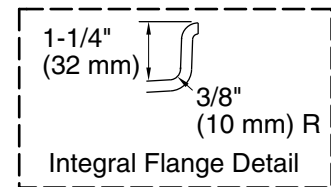
*Color tiles intended for reference only.*

**Color Code Description**

	0	White
---	---	-------



No change in measurements if connected with drain illustrated. (K-7213)



### Technical Information

All product dimensions are nominal.

Drain location:	Left
Basin area, bottom:	45-5/16" x 25-9/16" (1151 mm x 649 mm)
Basin area, top:	52-9/16" x 28-1/16" (1335 mm x 713 mm)
Weight:	70 lbs (31.8 kg)
Minimum floor load:	45 lbs/ft <sup>2</sup> (219.7 kg/m <sup>2</sup> )
Water depth:	12-11/16" (322 mm)
Water capacity:	55.6 gal (210.5 L)

### Notes

Measure your actual product for rough-in details.

Install this product according to the installation instructions.

The hot water supply should be 70% of the capacity of the bath or greater. Installations will vary.