



Underscore®

72" x 36" drop-in bath
K-1834

Features

- Generous length provides a spacious bathing area
- Integral lumbar support
- Slotted overflow allows for deep soaking

Material

- Acrylic
- Acrylic

Installation

- Requires Clearflo slotted overflow bath drain (sold separately)
- Center drain
- Drop-in or undermount
- Under-mount installation requires kit K-593 (sold separately)

Required Products/Accessories

K-7271 Brass Slotted Overflow Bath Drain

or

K-7272 PVC Slotted Overflow Bath Drain

Recommended Products/Accessories

K-593 Undermount kit for select 72" Underscore bath and whirlpool bath models

K-1491 Bath/Whirlpool Pillow

K-1601 Bath/whirlpool footstop, removable

K-1177 Vinyl Tiling-in Bead

K-23726 Drain treatment



Codes/Standards

CSA B45.5/IAPMO Z124

ASTM E162




ASTM E662

KOHLER® Plastic Baths and Shower Bases Lifetime Limited Warranty

See website for detailed warranty information.

Available Colors/Finishes

Color tiles intended for reference only.

| Color | Code | Description |
|---|------|--------------|
|  | 0 | White |
|  | 96 | Biscuit |
|  | 7 | Black Black™ |

1-800-4KOHLER (1-800-456-4537)

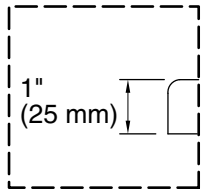
Kohler Co. reserves the right to make revisions without notice to product specifications.

For the most current Specification Sheet, go to www.kohler.com USA or www.kohler.ca Canada

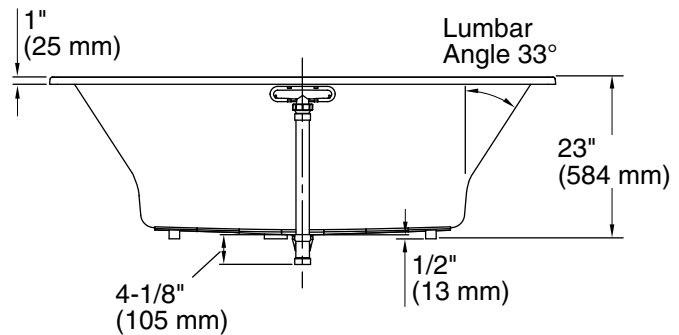
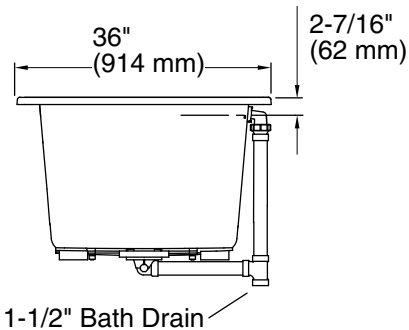
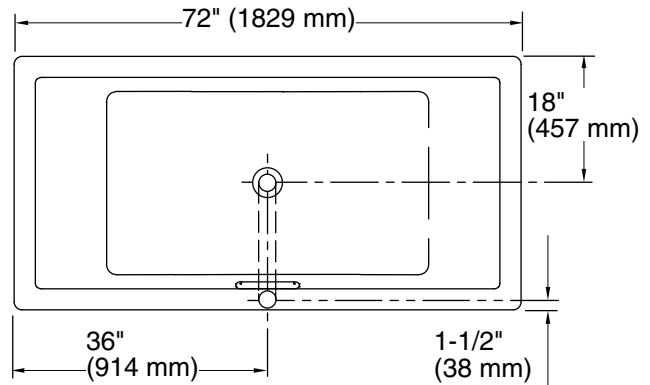
3-11-2026 20:18 - US/CA

THE BOLD LOOK
OF **KOHLER**®

No change in measurement if connected with drain illustrated. (K-7272)



Drop-In Rim Detail



Technical Information

All product dimensions are nominal.

| | |
|------------------------|---|
| Drain location: | Center |
| Basin area, bottom: | 45-3/4" x 25-15/16" (1162 mm x 659 mm) |
| Basin area, top: | 65-3/8" x 29-5/16" (1661 mm x 745 mm) |
| Weight: | 82 lbs (37.2 kg) |
| Minimum floor load: | 58 lbs/ft ² (283.2 kg/m ²) |
| Water depth: | 19-7/16" (494 mm) |
| Water capacity: | 112.9 gal (427.4 L) |
| Cutout: | Drop-in, 71-1/2" x 35-1/2" (1816 mm x 902 mm) |
| Minimum flat for door: | 2-1/2" (64 mm) |

Notes

Measure your actual product for rough-in details.

Install this product according to the installation instructions.

The hot water supply should be 70% of the capacity of the bath or greater. Installations will vary.

Kit is required for under-mount installations (sold separately).