

Features

- Rectangular basin
- Overflow drain
- No faucet holes; requires wall- or counter-mount faucet
- Coordinates with other products in the Kathryn collection

Material

- Vitreous china

Installation

- Undermount

Recommended Products/Accessories

- K-23726 Drain treatment
- K-23725 Cast iron cleaner

Included Components

- 1193643 Basin clamps



ADA

CSA B651

Codes/Standards




ASME A112.19.2/CSA B45.1
ADA
ICC/ANSI A117.1
CSA B651

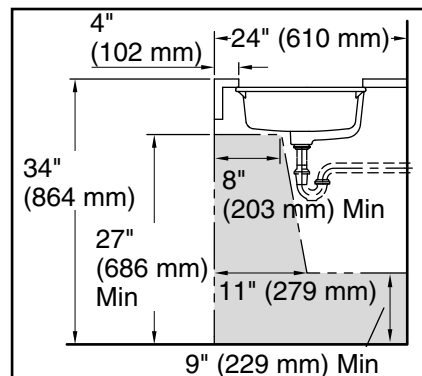
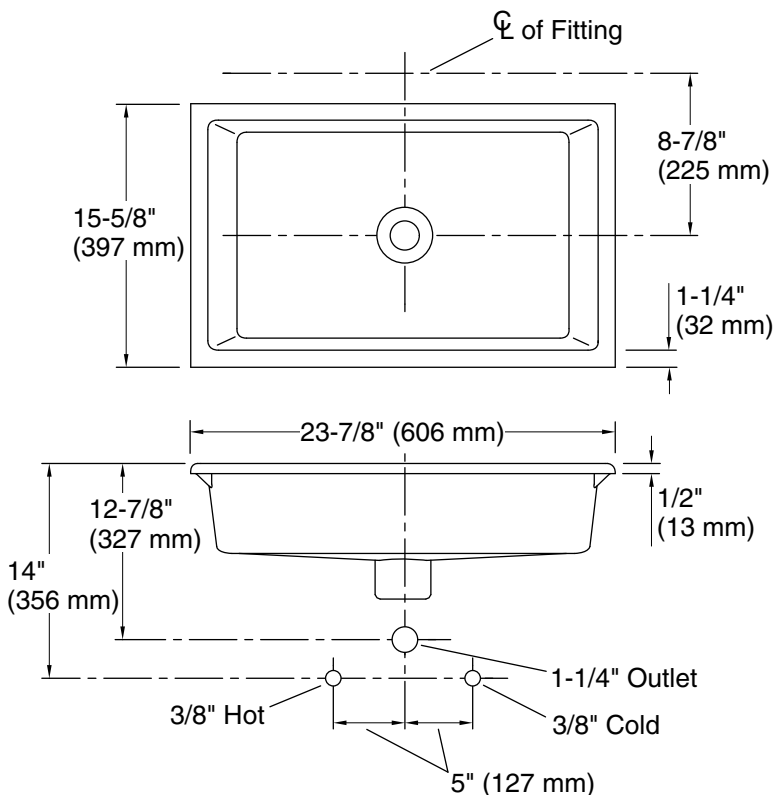
KOHLER® Vitreous China Bathroom Sink Lifetime Limited Warranty

See website for detailed warranty information.

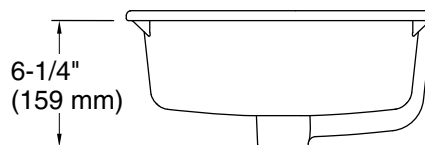
Available Colors/Finishes

Color tiles intended for reference only.

Color	Code	Description
	0	White
	96	Biscuit
	7	Black Black™



Recommended ADA Installation



Technical Information

All product dimensions are nominal.

Basin configuration: Single Bowl

Bowl area (Only): Length: 21-3/8" (543 mm)
Width: 13-1/8" (333 mm)
Bowl depth: 4-7/8" (123 mm)
Water depth: 3-5/16" (84 mm)

With overflow: Yes

Drain hole: 1-3/4" (44 mm)

Template: Undermount, 1241343-7, required, not included

Notes

Install this product according to the installation instructions.

NOTICE: Countertop manufacturer or cutter must use the current product template available at www.kohler.com, or by calling 1-800-4KOHLER. Kohler Co. is not responsible for cutout errors when the incorrect cutout template is used.

Select a faucet with a minimum spout reach of 4-5/8" (117 mm). Refer to the faucet rough-in dimensions to ensure the spout will reach over the bathroom sink rim into the basin.

Product dimensions are nominal and may vary per ASME A112.19.2 tolerances.

ADA, CSA B651 compliant when installed to the specific requirements of these regulations.