



Derring® Carillon®

17-3/4" round drop-in bathroom sink, no overflow
K-17890-RL

Features

- Round basin with carved textural pattern
- Artisanal glazes are easy to care for and durable
- Neutral hues complement a wide range of fixtures and faucets
- Natural glaze variations make each sink unique yet beautifully complementary when paired side-by-side
- Wading pool design accommodates a wide variety of faucets
- No faucet holes; requires wall- or counter-mount faucet

Material

- Vitreous china

Installation

- Vessel

Recommended Products/Accessories

K-23725 Cast iron cleaner



ADA

CSA B651

Codes/Standards

ASME A112.19.2/CSA B45.1

ADA

ICC/ANSI A117.1




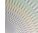
CSA B651

KOHLER® Vitreous China Bathroom Sink Lifetime Limited Warranty

See website for detailed warranty information.

Available Colors/Finishes

Color tiles intended for reference only.

Color	Code	Description
	K8	Translucent White
	RB2	Bourbon Rutile
	RB3	Bluestone Rutile
	PRL	Pearlized

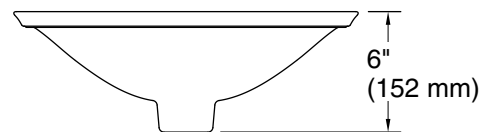
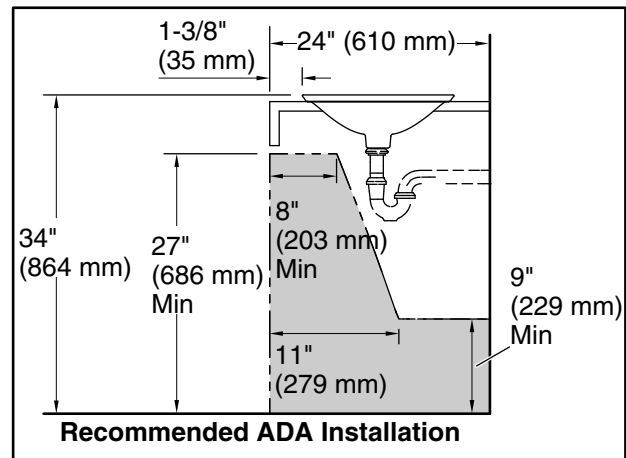
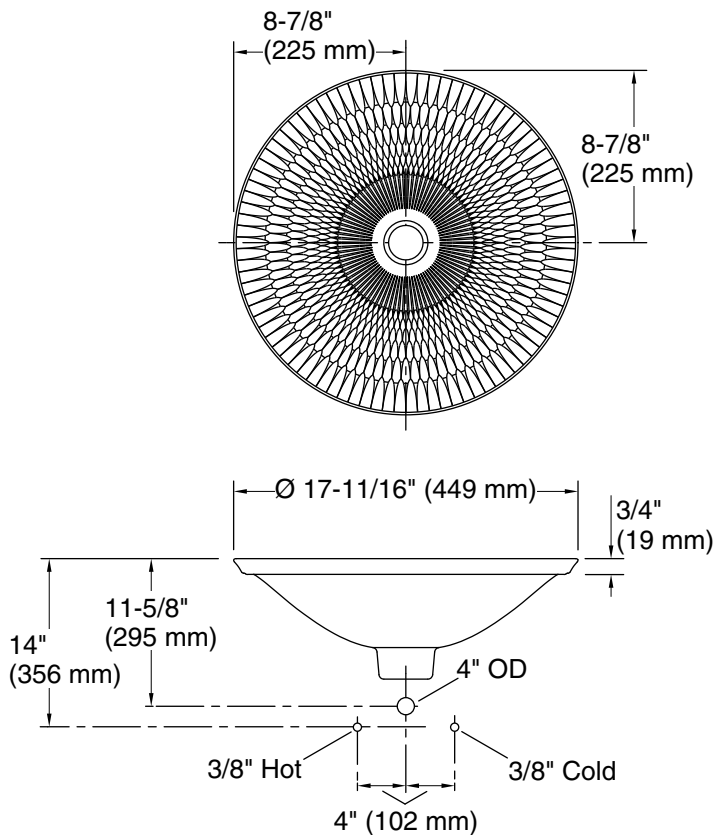
1-800-4KOHLER (1-800-456-4537)

Kohler Co. reserves the right to make revisions without notice to product specifications.

For the most current Specification Sheet, go to www.kohler.com USA or www.kohler.ca Canada

3-3-2026 21:22 - US/CA

THE BOLD LOOK
OF **KOHLER**®



Technical Information

All product dimensions are nominal.

Basin configuration:	Single Bowl
Basin area (Only):	Length: 17-1/4" (437 mm)
	Width: 17-1/4" (437 mm)
	Bowl depth: 4" (102 mm)
	Water depth: 4" (102 mm)
With overflow:	No
Template:	1242827, required, included

Notes

Install this product according to the installation instructions.

NOTICE: Countertop manufacturer or cutter must use the current product template available at www.kohler.com, or by calling 1-800-4KOHLER. Kohler Co. is not responsible for cutout errors when the incorrect cutout template is used.

Product dimensions are nominal and may vary per ASME A112.19.2 tolerances.

ADA, CSA B651 compliant when installed to the specific requirements of these regulations.