



**Vault™**  
top-/under-mount large single-bowl kitchen sink  
**K-80169-1**

### Features

- 33" minimum base cabinet width.
- Large single bowl.
- 9" depth.
- Single faucet hole.
- Rear drain increases workspace in the sink and storage space underneath.
- SilentShield® sound-absorption technology offers quieter performance.
- Includes installation hardware.
- Includes sink strainer.

### Material

- Handcrafted from 18-gauge stainless steel.

### Installation

- Top-mount or under-mount.

### Recommended Products/Accessories

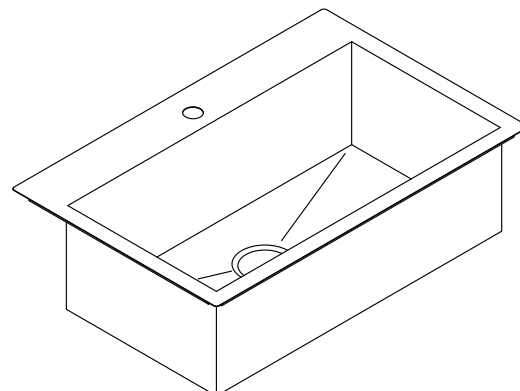
K-23995 sink rack for K-80169

### Components

Product includes:

7400 Sink Strainer

1177160 Hardware Kit, Self-Rimming

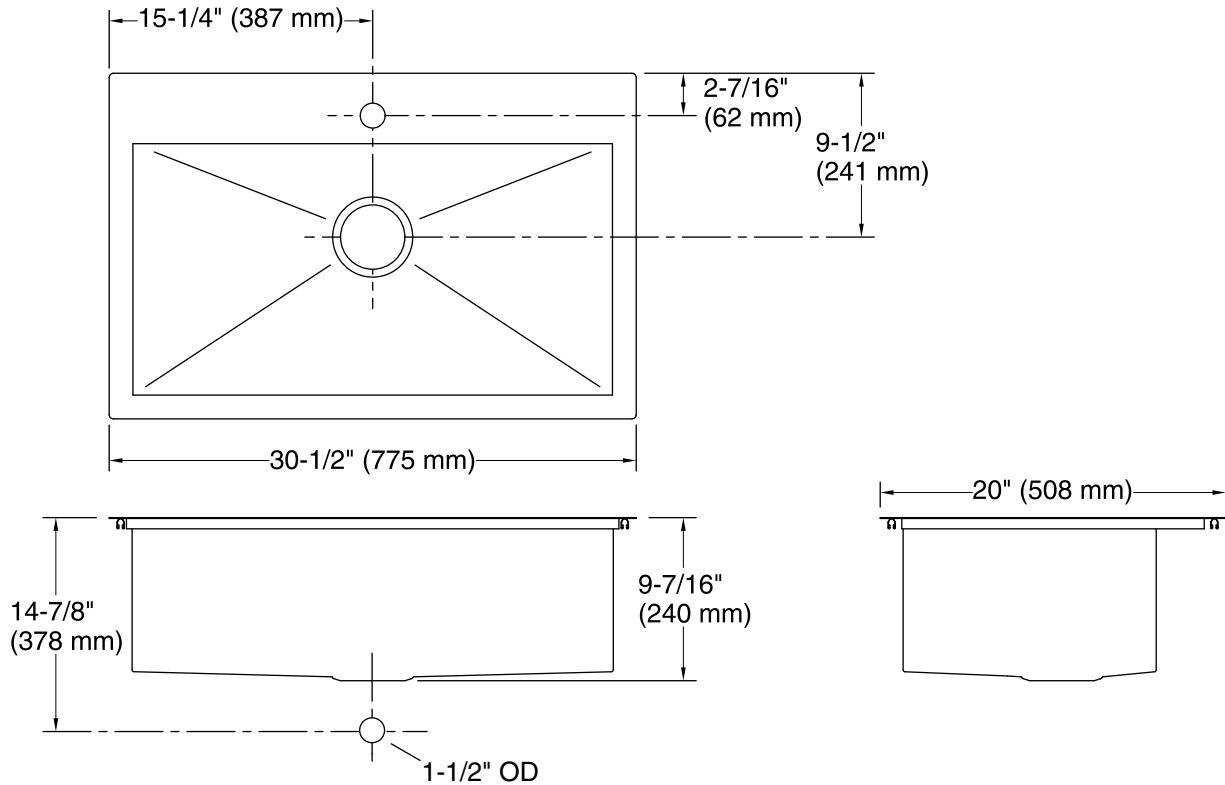


### Codes/Standards

ASME A112.19.3/CSA B45.4

### Lifetime Limited Warranty for KOHLER® Stainless Steel Sinks

See website for detailed warranty information.



## Technical Information

All product dimensions are nominal.

Bowl configuration:	Single
Installation:	Top-mount, Under-mount
Min. base cabinet width:	33" (838 mm)
Bowl area (Only):	Length: 27-3/4" (705 mm) Width: 14-9/16" (370 mm) Bowl depth: 9-1/8" (232 mm) Water depth: 9-1/8" (232 mm)
Number of deck holes:	1
Template:	Top-mount/Under-mount, 1345371-7, required, included

## Notes

Install this product according to the installation instructions.

**NOTICE:** Countertop manufacturer or cutter must use the cut-out template provided with the product, or a current one provided by Kohler Co. (call 1-800-4-KOHLER). Kohler Co. is not responsible for cutout errors when the incorrect cut-out template is used.