



**Bolero®**  
13-3/4" round drop-in/undermount bathroom sink, no  
overflow  
**K-2610-SU**

### Features

- Round basin
- Satin finish
- No faucet holes; requires wall- or counter-mount faucet

### Material

- Premium 20-gauge stainless steel

### Installation

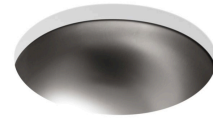
- Drop-in or undermount

### Recommended Products/Accessories

K-8998 P-Trap  
K-23726 Drain treatment  
K-23729 Stainless steel cleaner

### Included Components

1193643 Basin clamps



ADA

CSA B651

OBC

### Codes/Standards

ASME A112.19.3/CSA B45.4  
ADA  
ICC/ANSI A117.1  
CSA B651  
OBC

### KOHLER® One-Year Limited Warranty

See website for detailed warranty information.

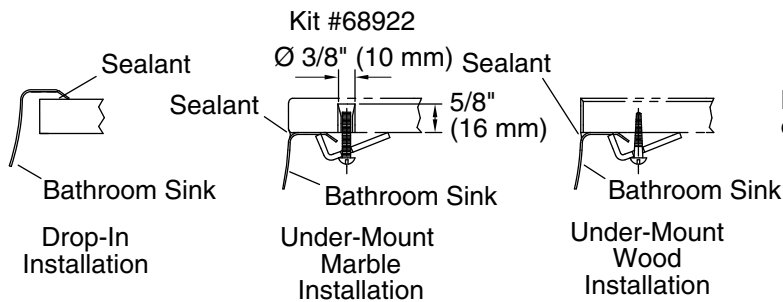
1-800-4KOHLER (1-800-456-4537)

Kohler Co. reserves the right to make revisions without notice to product specifications.

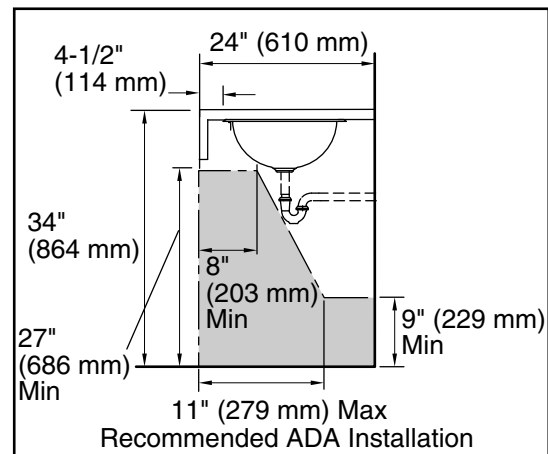
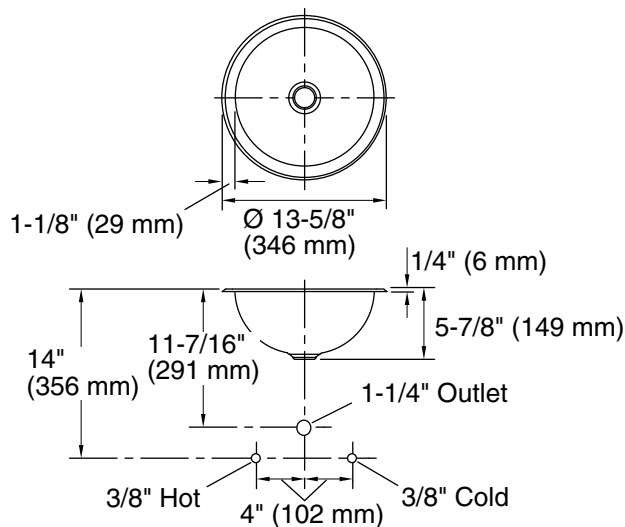
For the most current Specification Sheet, go to [www.kohler.com](http://www.kohler.com) USA or [www.kohler.ca](http://www.kohler.ca) Canada

2-6-2026 22:12 - US/CA

THE BOLD LOOK  
OF **KOHLER®**



Note: Waterproof unprotected overhang area of the underside of wood counter.



## Technical Information

All product dimensions are nominal.

Basin configuration:	Single Bowl
Basin area (Only):	Length: 11-1/2" (292 mm) Width: 11-1/2" (292 mm) Bowl depth: 5-3/16" (131 mm) Water depth: 5-1/4" (133 mm)
With overflow:	No
Drain hole:	1-5/8" (41 mm)
Template:	111578-7, required, included

## Notes

Install this product according to the installation instructions.

ADA, OBC, CSA B651 compliant when installed to the specific requirements of these regulations.