



Kingston™ Ultra

Wall-mount toilet bowl with rear spud
K-84323

Features

- Elongated bowl offers added room and comfort
- Siphon jet
- 1-1/2" (38 mm) rear spud
- 1.1 gpf (4.2 lpf), 1.28 (4.8 lpf) or 1.6 gpf (6.0 lpf) depending on flushometer specified
- 11" x 8-1/4" (279 mm x 210 mm) water surface
- Wall-mounted vitreous china water closet bowls withstand a vertical force up to 1,000 lbs

Material

- Vitreous china

Technology

- Improved flush for toilet seat cover removal
- Re-engineered for strong flush performance in buildings with lower water pressure or flow
- Cast-on putty plate resists breakage
- New design eliminates gas leaks, splashing and paper shredding

Installation

- Wall-mount
- This product replaces K-4323
- This product is not designed or intended for bariatric use



ADA **CSA B651** **OBC**

Codes/Standards




ASME A112.19.2/CSA B45.1
DOE - Energy Policy Act 1992
EPA WaterSense®
California Energy Commission (CEC)
ADA
ICC/ANSI A117.1
CSA B651
OBC

KOHLER® One-Year Limited Warranty

See website for detailed warranty information.

Available Colors/Finishes

Color tiles intended for reference only.

Color	Code	Description
	0	White
	96	Biscuit
	7	Black Black™

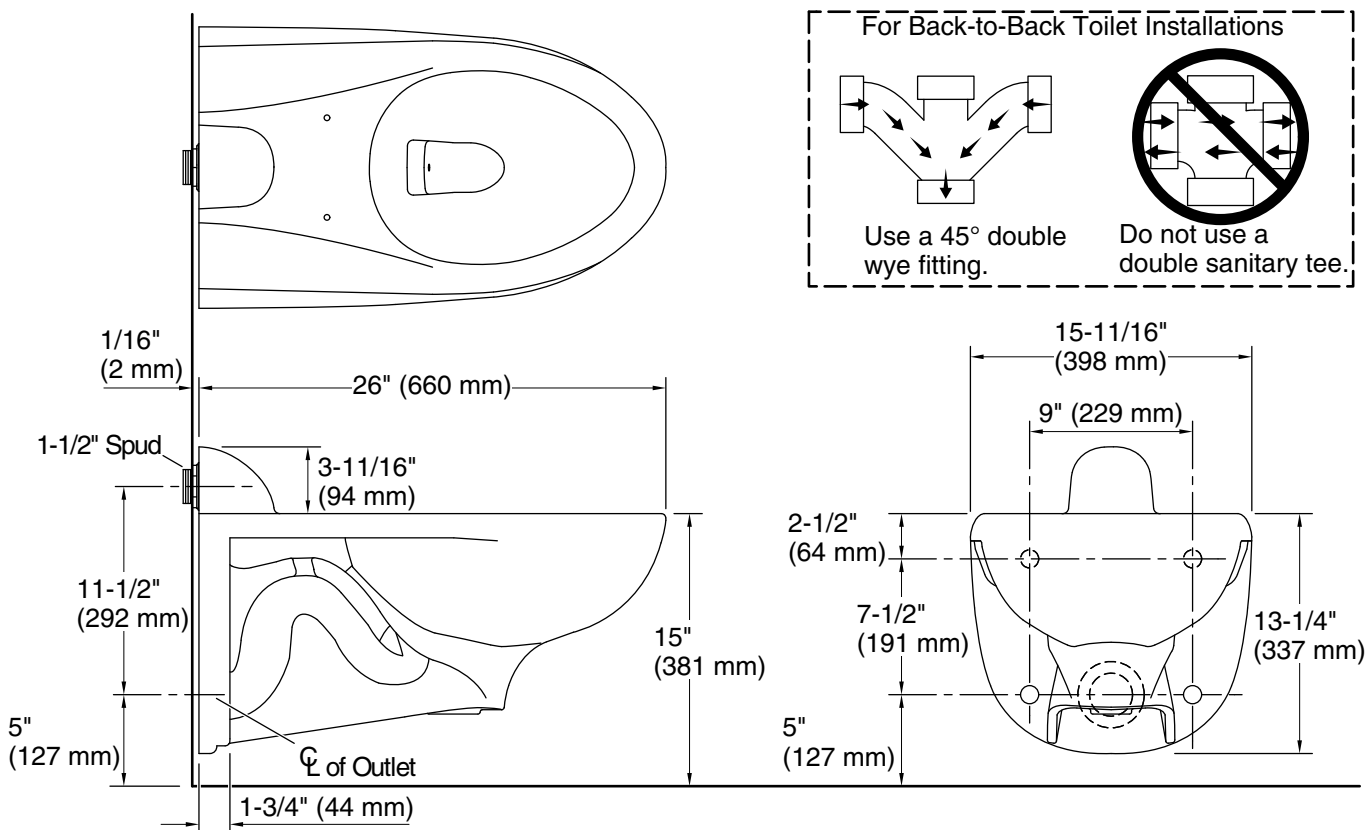
1-800-4KOHLER (1-800-456-4537)

Kohler Co. reserves the right to make revisions without notice to product specifications.

For the most current Specification Sheet, go to www.kohler.com USA or www.kohler.ca Canada

1-29-2026 20:17 - US/CA

THE BOLD LOOK
OF **KOHLER**®



Technical Information

All product dimensions are nominal.

Toilet type:	Wall-hung
Waste Outlet:	Wall
Bowl shape:	Elongated
Flush type:	Siphon
Spud size:	1 1/2", Inlet, Rear
Trap passageway:	2-1/8" (54 mm)
Water surface size:	11" x 8-1/4" (279 mm x 210 mm)
Rim to water surface:	5-13/16" (148 mm)
Seat-mounting holes:	5-1/2" (140 mm)

Fixture Supply Requirements

Min static pressure:	35 psi (241.3 kPa)
Max static pressure:	80 psi (551.6 kPa)
Min flowing pressure:	25 psi (172.4 kPa)
Min flow rate:	25 gpm (94.6 lpm)

Notes

Install this product according to the installation instructions.

For back-to-back toilet installations: Use only a 45° double wye fitting.

Refer to manufacturer's instructions and local codes for flushometer requirements.

Product dimensions are nominal and may vary per ASME A112.19.2 tolerances.

This product should be used with a WaterSense labeled counterpart with the same rated flush volume to ensure the complete system meets the requirements of this specification for water efficiency and performance.

ADA, OBC, CSA B651 compliant when installed to the specific requirements of these regulations.

Plumbing codes may require elongated toilets and elongated, open-front seats in public bathrooms.