

Features

- Double-equal bowls
- 9" (229 mm) depth provides generous workspace
- Includes one faucet hole and option for three additional holes for knockout with ball-peen hammer and punch
- Includes sink rack
- Optional K-5186 bottom basic rack(sold separately)
- Matte finish offers rich, dimensional color

Material

- KOHLER Neoroc® composite is durable and built to withstand day-to-day cleaning tasks
- Solid color throughout the sink
- Heat-resistant up to 750°F
- Scratch-, stain-, chip-, and thermal-shock-resistant

Installation

- 36" minimum base cabinet width for undermount or top-mount installation
- Cutout templates included
- Top-mount or undermount

Recommended Products/Accessories

- K-8801 Sink drain and strainer with tailpiece
- K-8799 Sink drain and strainer basket
- K-23730 Neoroc® cleaner

Optional Products/Accessories

- K-5186 Right-Bowl Sink Rack
- K-11352 Disposal Flange with Stopper
- K-9000 P-Trap

Included Components

- K-5662 Left-Bowl Sink Rack



Codes/Standards




CSA B45.5/IAPMO Z124

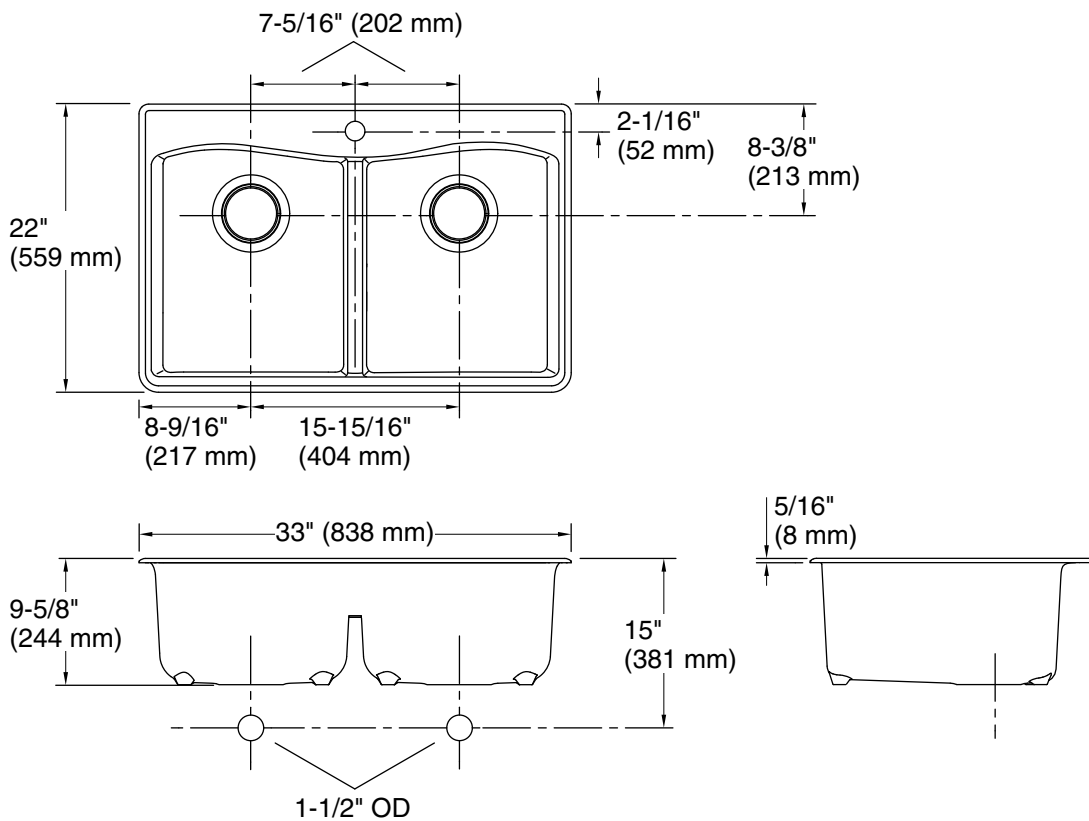
KOHLER® Neoroc® Sinks Lifetime Limited Warranty

See website for detailed warranty information.

Available Colors/Finishes

Color tiles intended for reference only.

Color	Code	Description
	CM1	Matte Black
	CM3	Matte Taupe
	CM4	Matte Grey



Technical Information

All product dimensions are nominal.

Basin configuration: Equal Bowls

Min. base cabinet width: 36" (914 mm)

Bowl area (Left): Length: 14-9/16" (370 mm)
 Width: 16-13/16" (427 mm)
 Bowl depth: 9" (229 mm)
 Water depth: 9" (229 mm)

Bowl area: Length: 14-9/16" (370 mm)
 Width: 16-13/16" (427 mm)
 Bowl depth: 9" (229 mm)
 Water depth: 9" (229 mm)

Number of deck holes: 3

Drain hole: 3-7/8" (98 mm)

Template: 1281758-7, required, included

Notes

Install this product according to the installation instructions.