



Dutchmaster Blush Floral™ Carillon®

21-1/4" rectangular drop-in bathroom sink, no overflow
K-30334-DM1

Features

- Decorated with a dramatic floral pattern on black background
- Produced in collaboration with artist-photographer Ashley Woodson Bailey (AWB™)
- Rectangular basin with subtle lift at edges
- Wading pool design accommodates a wide variety of faucets
- No faucet holes; requires wall- or counter-mount faucet

Material

- Vitreous china

Installation

- Drop-in

Recommended Products/Accessories

- K-23726 Drain treatment
- K-23725 Cast iron cleaner



ADA

CSA B651

Codes/Standards

ASME A112.19.2/CSA B45.1
ADA
ICC/ANSI A117.1
CSA B651

KOHLER® Vitreous China Bathroom Sink Lifetime Limited Warranty

See website for detailed warranty information.

Available Colors/Finishes

Color tiles intended for reference only.

Color Code Description

■ 0 White

1-800-4KOHLER (1-800-456-4537)

Kohler Co. reserves the right to make revisions without notice to product specifications.

For the most current Specification Sheet, go to www.kohler.com USA or www.kohler.ca Canada

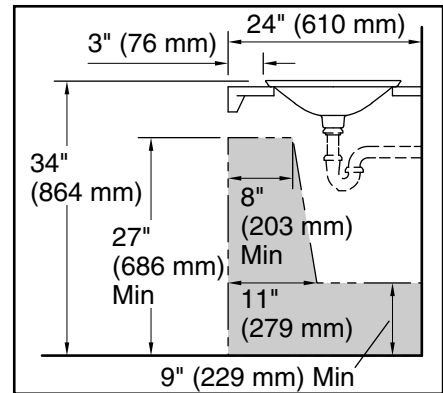
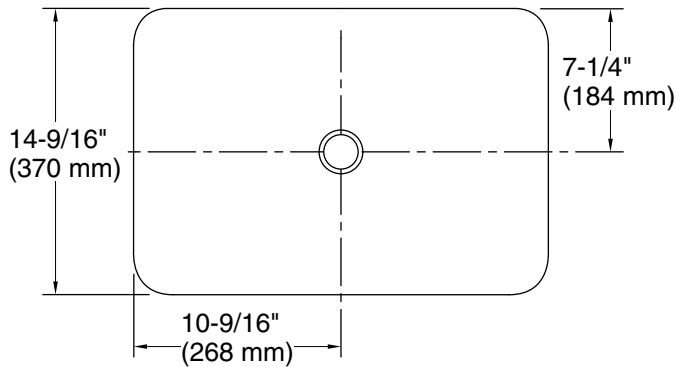
3-5-2026 20:40 - US/CA

THE BOLD LOOK
OF **KOHLER**®

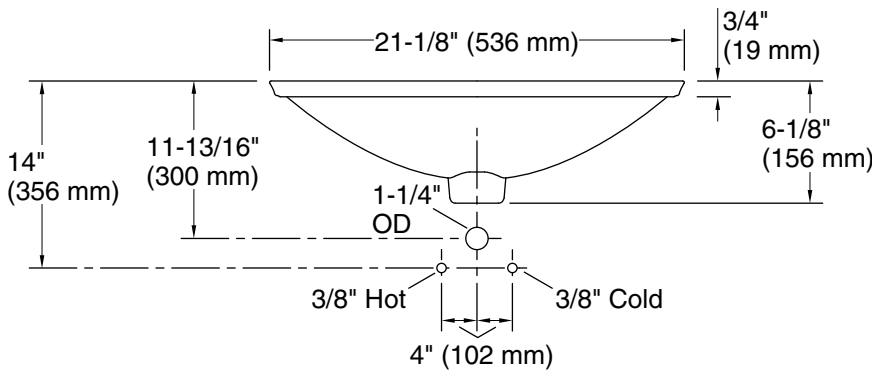


Dutchmaster Blush Floral™ Carillon®

21-1/4" rectangular drop-in bathroom sink, no overflow
K-30334-DM1



Recommended ADA Installation



Standard Installation

Technical Information

All product dimensions are nominal.

- Basin configuration: Single Bowl
- Bowl area (Only): Length: 21-1/8" (536 mm)
Width: 14-9/16" (370 mm)
Bowl depth: 4-1/8" (105 mm)
Water depth: 4-1/8" (105 mm)
- With overflow: No
- Template: 1242828, required, included

Notes

Install this product according to the installation instructions.

NOTICE: Countertop manufacturer or cutter must use the current product template available at www.kohler.com, or by calling 1-800-4KOHLER. Kohler Co. is not responsible for cutout errors when the incorrect cutout template is used.

Product dimensions are nominal and may vary per ASME A112.19.2 tolerances.

ADA, CSA B651 compliant when installed to the specific requirements of these regulations.