



Freshman™
Siphon-jet half-stall 1.0 gpf urinal, rear spud
K-4989-R

Features

- Siphon jet
- 3/4" (19 mm) rear spud
- 1.0 gpf (3.8 lpf)
- Includes inlet and outlet spuds and hangers

Material

- Vitreous china

Recommended Products/Accessories

- K-23726 Drain treatment
- K-23725 Cast iron cleaner



Codes/Standards



- ASME A112.19.2/CSA B45.1
- DOE - Energy Policy Act 1992

**KOHLER® One-Year Limited
Warranty**

See website for detailed warranty information.

Available Colors/Finishes

Color tiles intended for reference only.

Color	Code	Description
	0	White
	7	Black Black™

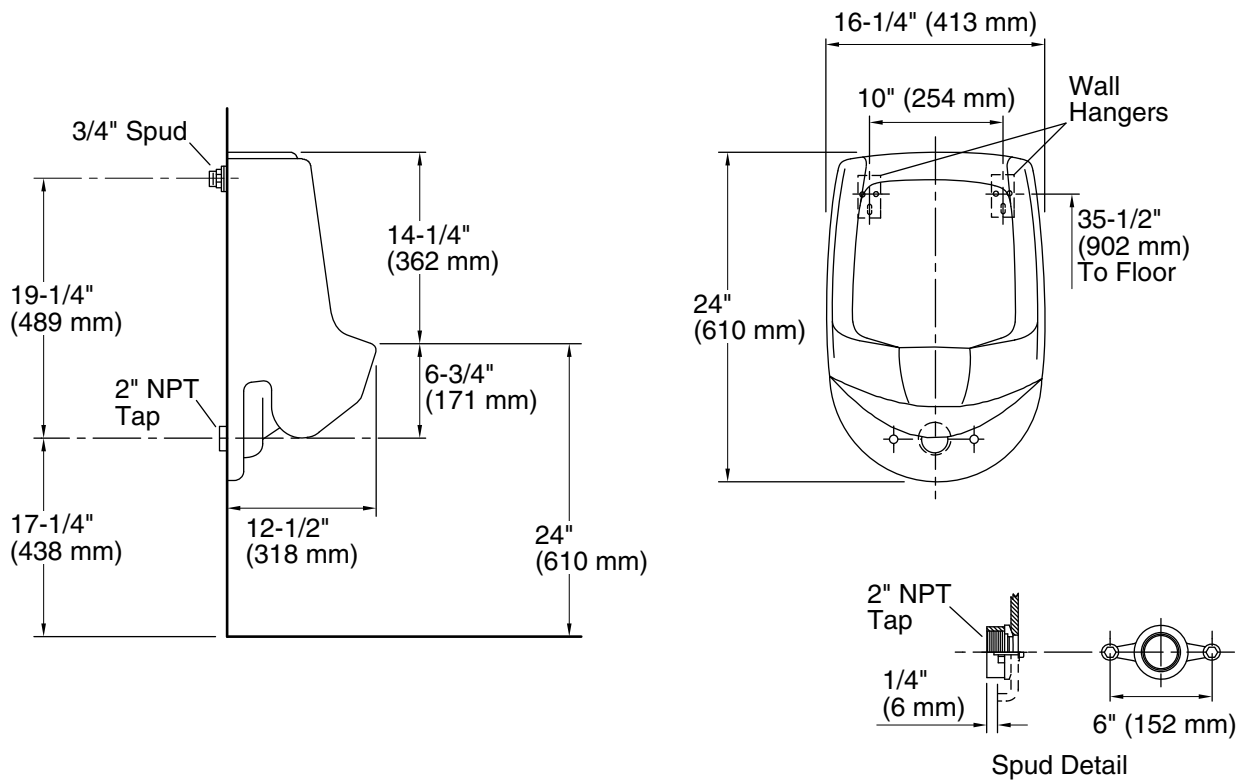
1-800-4KOHLER (1-800-456-4537)

Kohler Co. reserves the right to make revisions without notice to product specifications.

For the most current Specification Sheet, go to www.kohler.com USA or www.kohler.ca Canada

3-10-2026 20:17 - US/CA

THE BOLD LOOK
OF **KOHLER**®



Technical Information

All product dimensions are nominal.

Flush Type:	Siphon
Spud size:	Inlet, Rear
Min. Water per Flush:	1 gpf (3.8 lpf)
Max. Water per Flush:	1 gpf (3.8 lpf)

Designed for the above water use when installed with a water-saving flushometer.

Notes

- Install this product according to the installation instructions.
- Product dimensions are nominal and may vary per ASME A112.19.2 tolerances.