



**Staccato™**  
25" top-mount single-bowl kitchen sink  
**K-3362-1**

**Features**

- 27" (686 mm) minimum base cabinet width
- Single bowl
- 8" (203 mm) depth
- Single faucet hole
- Includes installation hardware

**Material**

- Premium 18-gauge stainless steel

**Installation**

- Top-mount

**Recommended Products/Accessories**

- K-8801 Sink drain and strainer with tailpiece
- K-8799 Sink drain and strainer basket
- K-23726 Drain treatment
- K-23729 Stainless steel cleaner

**Optional Products/Accessories**

- K-8803 Manual Sink Basket Strainer
- K-8804 Sink drain body with tailpiece
- K-8813 Stainless steel sink drain and strainer with tailpiece
- K-8814 Stainless steel sink drain and strainer
- K-11352 Disposal Flange with Stopper



**Codes/Standards**

ASME A112.19.3/CSA B45.4

**KOHLER® Stainless Steel Sinks  
Lifetime Limited Warranty**

See website for detailed warranty information.

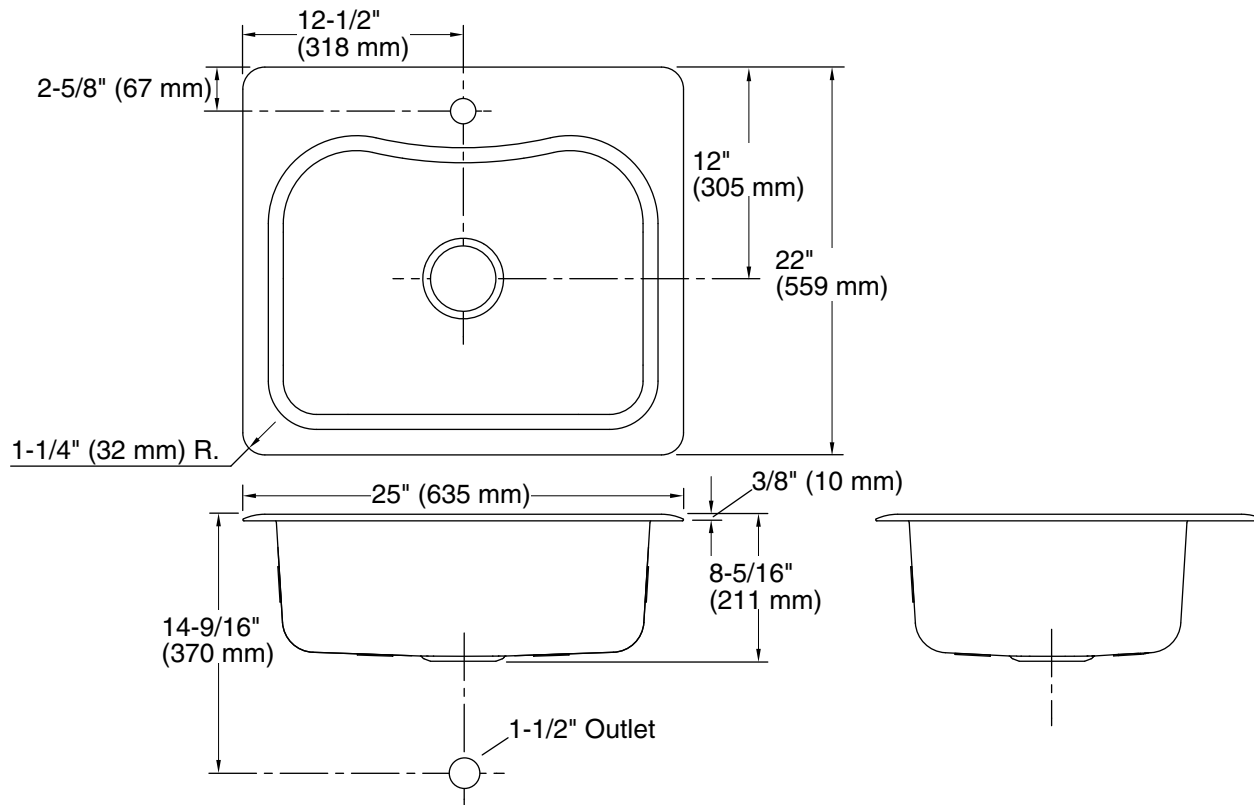
1-800-4KOHLER (1-800-456-4537)

Kohler Co. reserves the right to make revisions without notice to product specifications.

For the most current Specification Sheet, go to [www.kohler.com](http://www.kohler.com) USA or [www.kohler.ca](http://www.kohler.ca) Canada

2-27-2026 22:55 - US/CA

THE BOLD LOOK  
OF **KOHLER®**



### Technical Information

All product dimensions are nominal.

Basin configuration:	Single Bowl
Cutout:	Top-mount, 24-1/2" x 21-1/2" (622 mm x 546 mm) with 1" (25 mm) radius corners
Center(s):	8" (203 mm)
Min. base cabinet width:	27" (686 mm)
Bowl area:	Length: 21-1/8" (537 mm) Width: 15-11/16" (398 mm) Bowl depth: 8-5/16" (211 mm) Water depth: 8" (203 mm)
Number of deck holes:	1
Faucet hole(s):	1-7/16" (37 mm)
Drain hole:	3-5/8" (92 mm)

### Notes

Install this product according to the installation instructions.