

Features

- Safeguard® slip-resistant surface provides excellent traction underfoot
- 60"L x 30-1/4"W x 14"H
- Integral apron for quick installation
- Integral lumbar support
- Integral apron

Material

- KOHLER® enameled cast iron

Installation

- Alcove
- Left drain
- Integral flange

Required Products/Accessories

K-7213 27" Cable Bath Drain

or

K-7214 27" Cable Bath Drain

or

K-37383 Rough-in cable bath drain, PVC, 30" cable with tubing

K-T37391 Rotary-turn bath drain trim

or

K-78438 30" cable bath drain

K-T37391 Rotary-turn bath drain trim

or

K-37383 Rough-in cable bath drain, PVC, 30" cable with tubing

K-T37392 Rotary-turn bath drain trim

or

K-78438 30" cable bath drain

K-T37392 Rotary-turn bath drain trim

or

K-7259 Brass toe tap bath drain

Recommended Products/Accessories

K-1491 Bath/Whirlpool Pillow

K-1601 Bath/whirlpool footstop, removable

K-23725 Cast iron cleaner



ADA

Codes/Standards

ASME A112.19.1/CSA B45.2

ASTM F462

ADA

ICC/ANSI A117.1

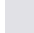

KOHLER® Enameled Cast Iron Bath and Shower Base Lifetime Limited Warranty

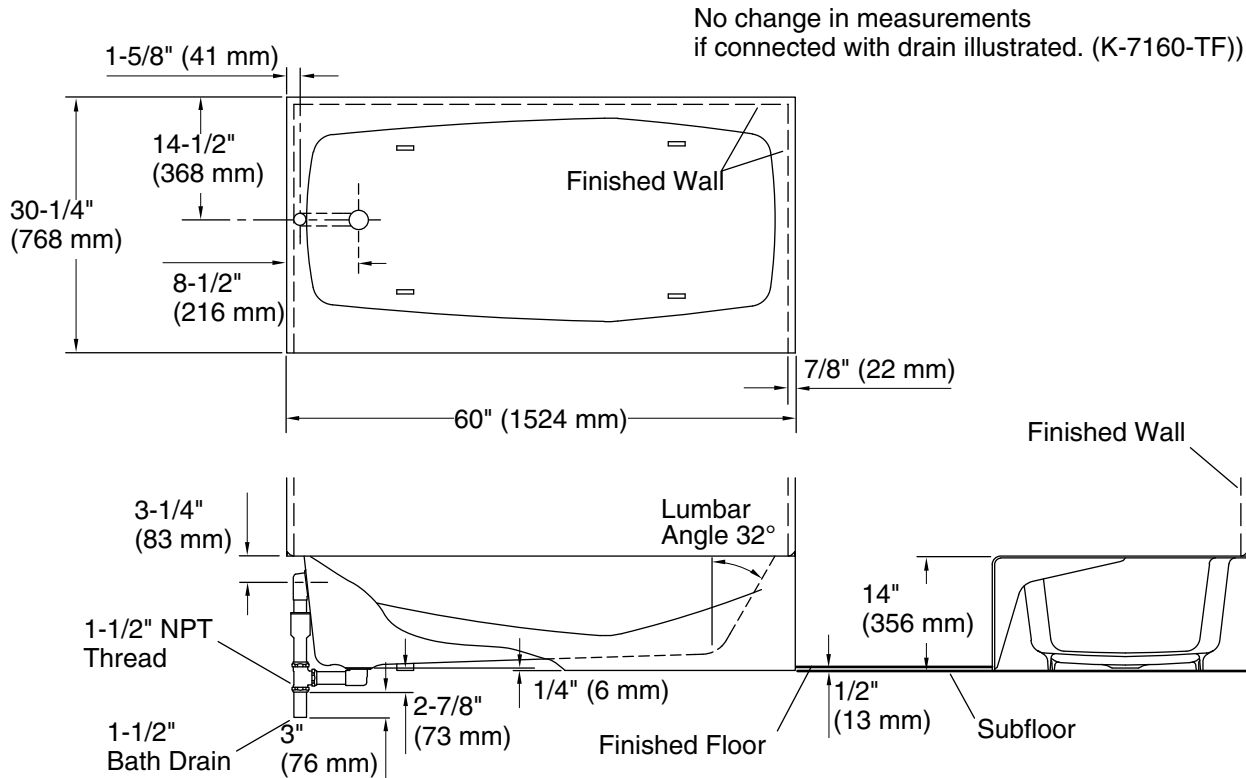
See website for detailed warranty information.

Available Colors/Finishes

Color tiles intended for reference only.

Color	Code	Description
-------	------	-------------

	0	White
	96	Biscuit



Technical Information

All product dimensions are nominal.

Drain location:	Left
Basin area, bottom:	45" x 22" (1143 mm x 559 mm)
Basin area, top:	55" x 24" (1397 mm x 610 mm)
Weight:	316 lbs (143.3 kg)
Minimum floor load:	49 lbs/ft ² (239.2 kg/m ²)
Water depth:	8-5/8" (219 mm)
Water capacity:	33 gal (124.9 L)
Minimum flat for door:	1-7/8" (48 mm)

Notes

Measure your actual product for rough-in details.

Install this product according to the installation instructions.

The hot water supply should be 70% of the capacity of the bath or greater. Installations will vary.

ADA compliant when installed to the specific requirements of these regulations.