



Iron Plains®

30" rectangular drop-in/undermount bathroom sink

K-20212

Features

- Large rectangular basin
- No faucet holes; requires wall- or counter-mount faucet
- Overflow drain

Material

- KOHLER® enameled cast iron

Installation

- Drop-in or undermount

Recommended Products/Accessories

K-23725 Cast iron cleaner

Included Components

1193643 Basin clamps



ADA

CSA B651

Codes/Standards

ASME A112.19.1/CSA B45.2

ADA

ICC/ANSI A117.1

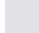


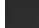
CSA B651

KOHLER® Enameled Cast Iron Kitchen and Bathroom Sink Lifetime Limited Warranty

See website for detailed warranty information.

Available Colors/Finishes

Color tiles intended for reference only.

Color	Code	Description
	0	White
	96	Biscuit
	NY	Dune
	7	Black Black™

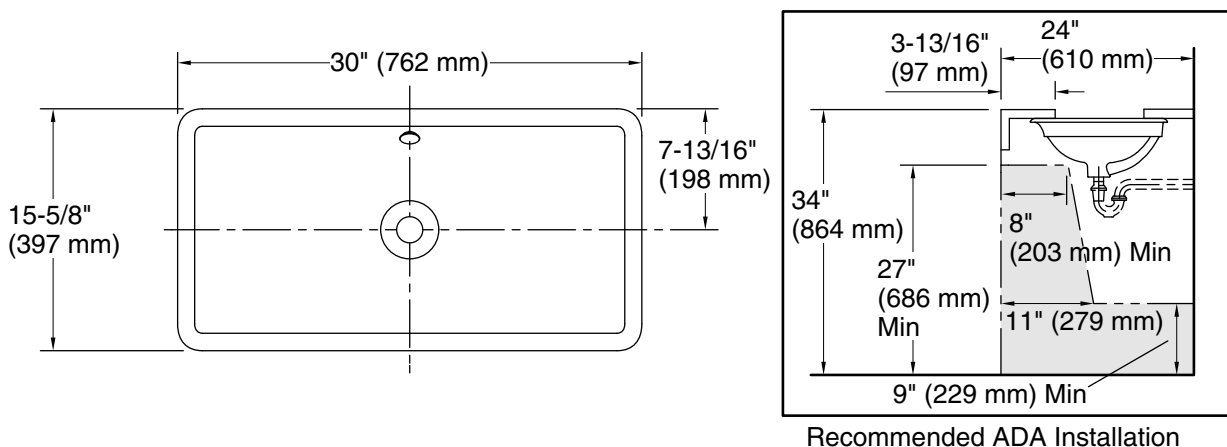
1-800-4KOHLER (1-800-456-4537)

Kohler Co. reserves the right to make revisions without notice to product specifications.

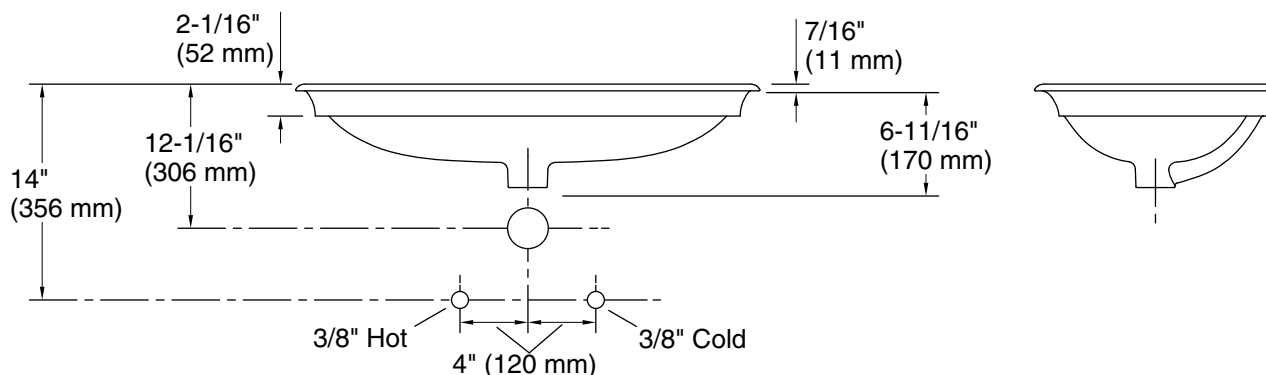
For the most current Specification Sheet, go to www.kohler.com USA or www.kohler.ca Canada

3-3-2026 21:29 - US/CA

THE BOLD LOOK
OF **KOHLER**®



Recommended ADA Installation



Technical Information

All product dimensions are nominal.

Basin configuration: Single Bowl

Bowl area (Only): Length: 28-13/16" (732 mm)
Width: 14-7/16" (367 mm)
Bowl depth: 4-3/4" (121 mm)
Water depth: 3-5/16" (84 mm)

With overflow: Yes

Drain hole: 1-3/4" (44 mm)

Template: 1319048-7, required, included

Notes

Install this product according to the installation instructions.

Countertop manufacturer or cutter must use the cut-out template provided with the product, or a current one provided by Kohler Co. (call 1-800-43-FOCUS). Kohler Co. is not responsible for cut-out errors when the incorrect cut-out template is used.

ADA, CSA B651 compliant when installed to the specific requirements of these regulations.