

Features

- 30" (762 mm) minimum base cabinet width
- Single bowl
- 9" (229 mm) depth provides generous workspace
- Rear drain increases workspace in the sink and allows for more storage space underneath the sink
- Box includes: Sink, sink rack, installation hardware, cutout template
- Includes installation hardware
- Rounded 10mm corners are easy to clean

Material

- Premium 16-gauge stainless steel

Installation

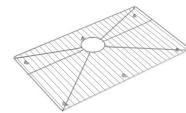
- Undermount

Recommended Products/Accessories

- K-23729 Stainless steel cleaner
- K-8801 Sink drain and strainer with tailpiece
- K-8799 Sink drain and strainer basket

Included Components

- K-5408 Stainless steel sink rack

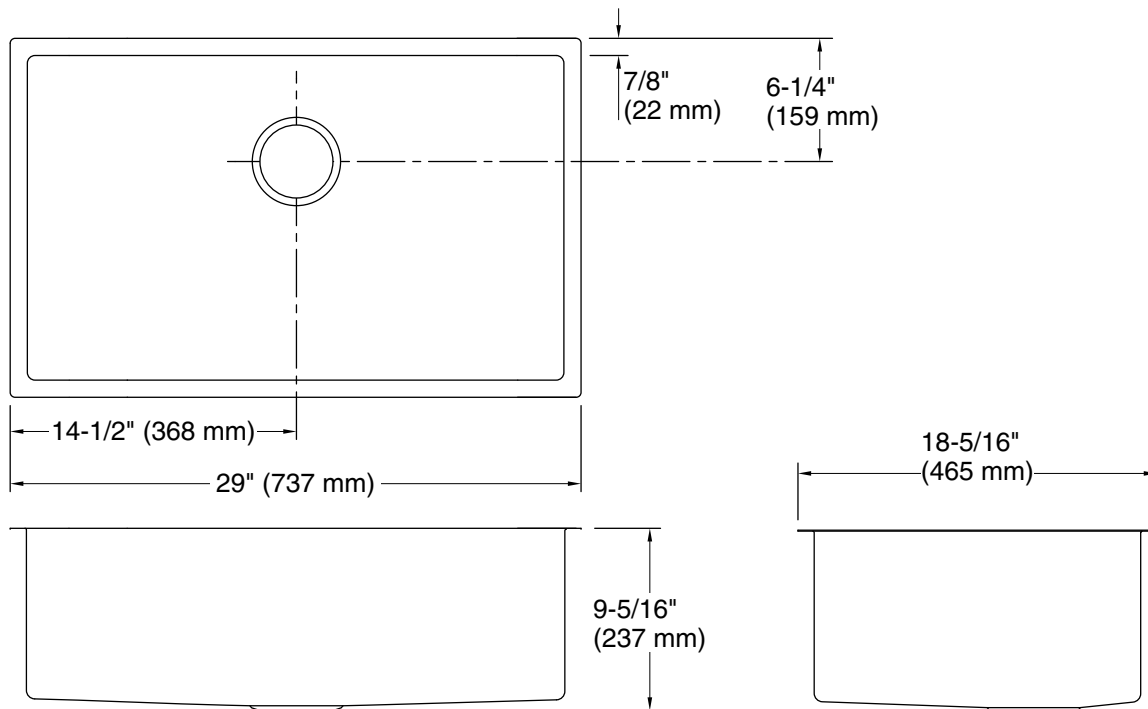


Codes/Standards

ASME A112.19.3/CSA B45.4

KOHLER® Stainless Steel Sinks Lifetime Limited Warranty

See website for detailed warranty information.



Technical Information

All product dimensions are nominal.

Basin configuration: Single Bowl

Min. base cabinet width: 33" (838 mm)

Bowl area (Basin #1):
 Length: 27-1/4" (692 mm)
 Width: 16-9/16" (420 mm)
 Bowl depth: 9" (229 mm)
 Water depth: 9" (229 mm)

Drain hole: 3-3/4" (95 mm)

Template: 1220866-7, required, included

Notes

Install this product according to the installation instructions.

Minimum base cabinet width 30" - 33" (30" may require cabinet modifications). Consult an installer for confirmation.