

Product Information

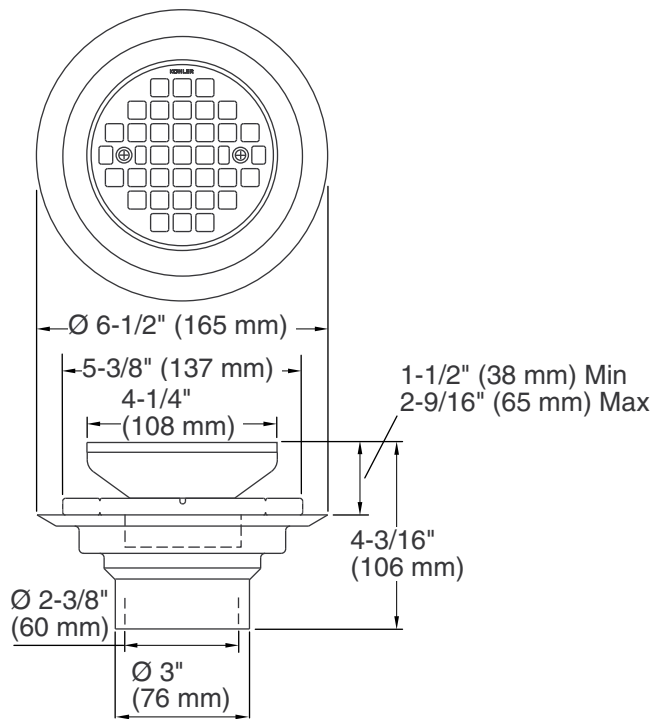
Applicable product:	
Tile-in shower drain – round shaped grid plate	K-9135
Tile-in shower drain – square shaped grid plate	K-9136

Installation Notes

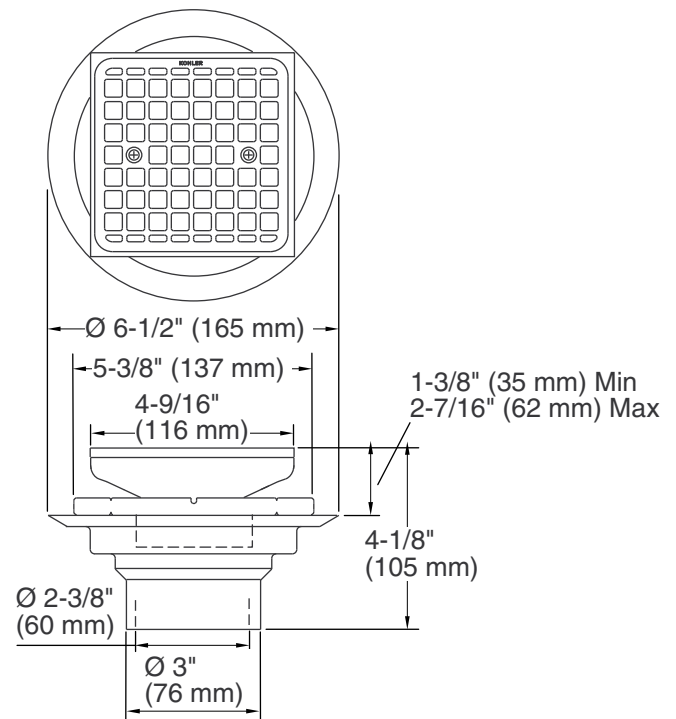
Install this product according to the installation guide.

Collar is reversible to accommodate a variety of tile thicknesses.

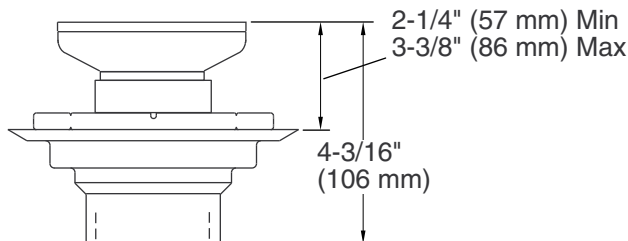
Fixture conforms to standard ASME A112.18.2/CSA B125.2. All dimensions are nominal.



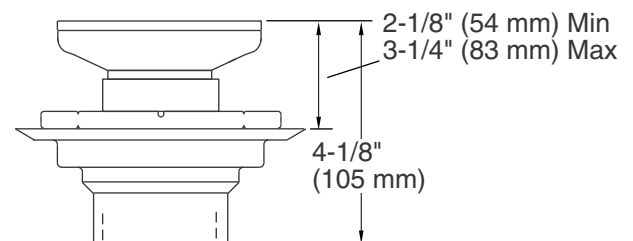
K-9135
Collar with Threads Facing Down



K-9136
Collar with Threads Facing Down



Collar with Threads Facing Up



Collar with Threads Facing Up