

### Product Information

Applicable product:	
Bath	K-1121
Fixture*:	
Bathing well:	
Basin area, bottom	42-3/8" (107.6 cm) x 20" (50.8 cm)
Basin area, top	54-3/8" (138.1 cm) x 24-5/16" (61.8 cm)
Weight	71 lbs (32.2 kg)
To overflow:	
Water depth	15-1/16" (38.3 cm)
Capacity	59.8 gal (226 L)
* Approximate measurements for comparison only.	
Drop-in cut-out	59-1/2" (151.1 cm) x 28-1/2" (72.4 cm)
Required accessories:	
Clearflo slotted overflow brass bath drain <b>OR</b>	K-7271
Clearflo slotted overflow bath drain – PVC pipe	K-7272

#### Optional accessories:

Undermount kit	K-531
Pillow	K-1491
Footstop	K-1601

### Installation Notes

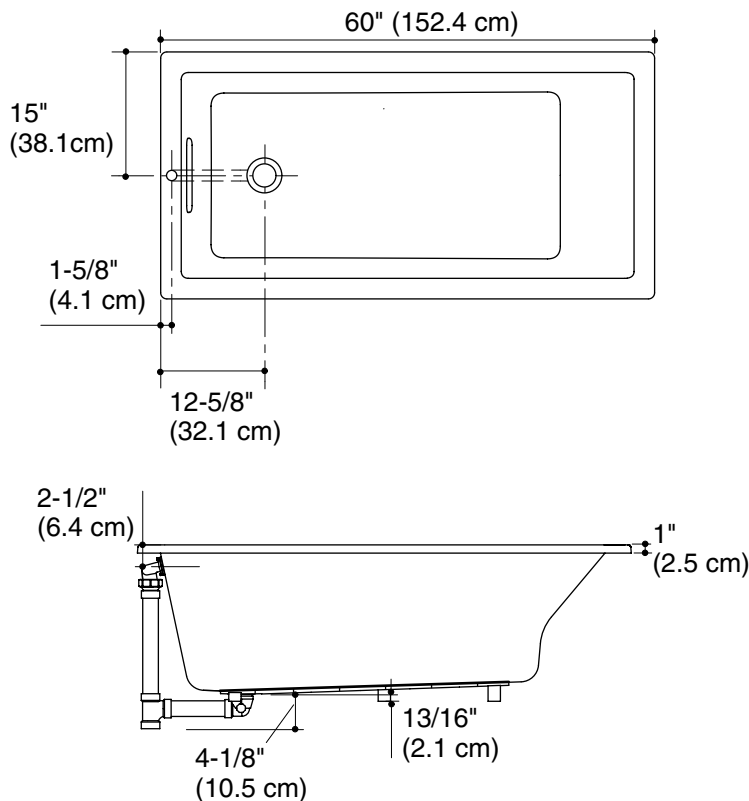
Install this product according to the installation guide.

Will comply with **ADA** when installed per Section 607 Bathtubs of the Act.

Floor support under bath must provide for a minimum of 50 lbs/square foot (242 kg/square meter) loading.

Hot water supply should be 70% of capacity or greater. Installations will vary.

Fixture conforms to ANSI Standards Z124.1.2. All dimensions are nominal.



No change in measurement if connected with drain illustrated. (K-7272)

