

KOHLER® Roughing-In

K-1130
UNDERSCORE™
5' BATH

Product Information

Applicable product:	
5' bath – drop-in	K-1130
Fixture*:	
Bathing well:	
Basin area, bottom	42" (1067 mm) x 23-1/2" (597 mm)
Basin area, top	55-1/8" (1400 mm) x 27-1/8" (689 mm)
Weight	75 lbs (34 kg)
To overflow:	
Water depth	17-1/8" (43.5 cm)
Capacity	81 gal (306.6 L)
* Approximate measurements for comparison only.	
Drop-in cut-out	59-1/2" (1511 mm) x 31-1/2" (800 mm)
Required accessories:	
Clearflo slotted overflow brass bath drain OR	K-7271
Clearflo slotted overflow bath drain – PVC pipe	K-7272

Optional accessories:

Under-mount kit

K-590

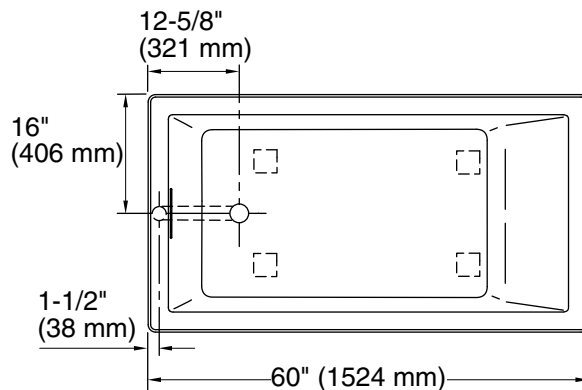
Installation Notes

Install this product according to the installation guide.

Floor support under bath must provide for a minimum of 58 lbs/square foot (284 kg/square meter) loading.

The hot water supply should be 70% of the capacity of the bath or greater. Installations will vary.

Fixture conforms to CSA B45.5/IAPMO Z124. All dimensions are nominal.



No change in measurements if connected with required drain illustrated. (K-7272)

