

KOHLER® Roughing-In

K-2838 LEDGES® UNDER-MOUNT BATHROOM SINK

Product Information

Applicable product:	
Under-mount bathroom sink	K-2838

Fixture*:	
Basin area	12-15/16" (329 mm) x 14-5/8" (371 mm)
Water depth	3-1/4" (83 mm)
Drain hole	Ø 1-11/16" (43 mm)
* Approximate measurements for comparison only.	

Included components:	
Overflow ferrule (1)	84896
Basin clamp assembly	52047
Cut-out template	1070407-7

Installation Notes

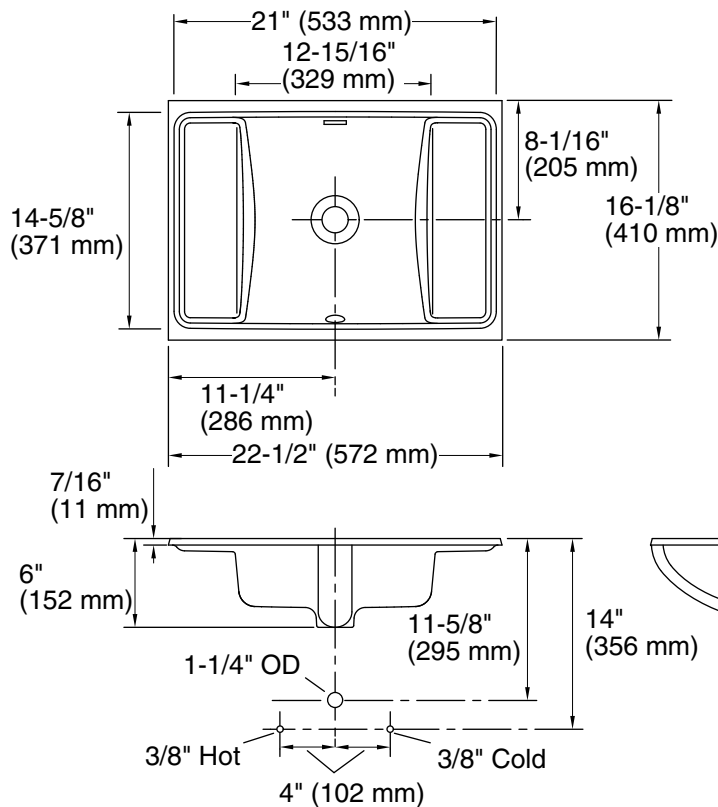
Install this product according to the installation guide.

Will comply with **ADA** when installed per Section 606 Lavatories of the Act.

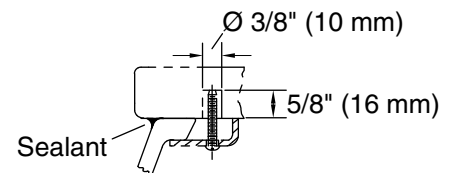
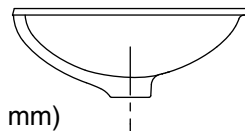
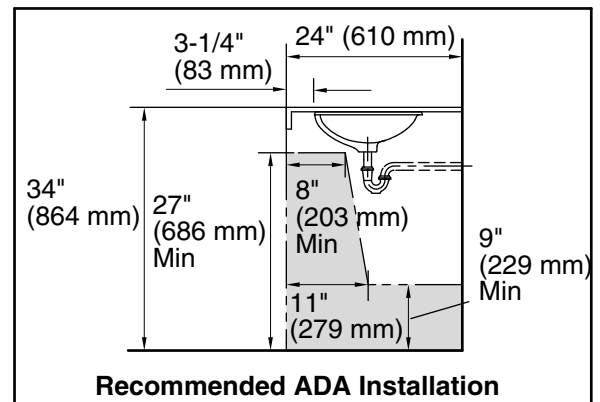
Will comply with **CSA B651** when installed per Clause 4.3.3 of the standard.

Will comply with **OBC** when installed per Clause 3.8.3.11.

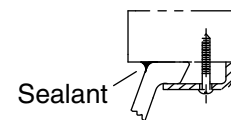
Fixture conforms to standard ASME A112.19.1/CSA B45.2. All dimensions are nominal.



Standard Installation



Marble Installation



Wood Installation