

KOHLER® Roughing-In

K-1125-LA, K-1125-RA ARCHER™ 6' BATH WITH INTEGRAL APRON

Product Information

Applicable product:	
Bath with integral apron, left drain	K-1125-LA
Bath with integral apron, right drain	K-1125-RA
Fixture*:	
Bathing well	
Basin area bottom	51-3/8" (1304 mm) x 21" (533 mm)
Basin area top	64-1/2" (1638 mm) x 30-1/2" (775 mm)
Weight	80 lbs (36.3 kg)
To overflow	
Water depth	15" (381 mm)
Capacity	72 gal (273 L)
* Approximate measurements for comparison only.	
Required accessories:	
Clearflo slotted overflow brass bath drain OR	K-7271
Clearflo slotted overflow bath drain – PVC pipe	K-7272

Installation Notes

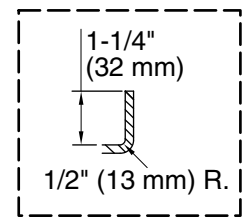
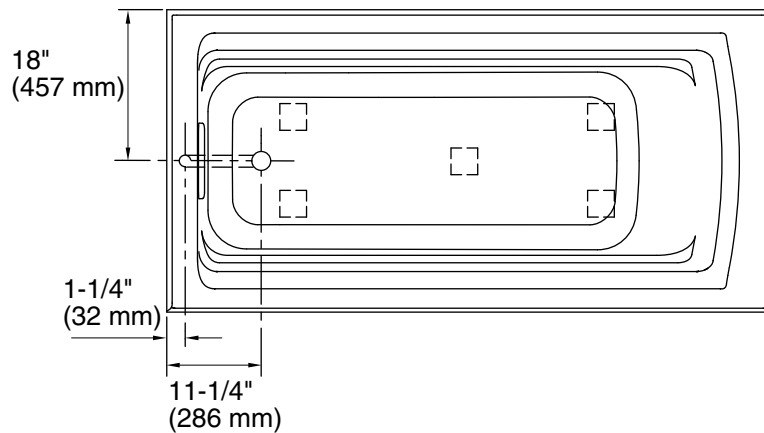
Install this product according to the installation guide.

Floor support under this product must provide for a minimum of 40 lbs/square foot (192 kg/square meter) loading.

The hot water supply should be 70% of the capacity of the bath or greater. Installations will vary.

Fixture conforms to CSA B45.5/IAPMO Z124. All dimensions are nominal.

No change in measurements if connected with drain illustrated. (K-7272)



Integral Flange Detail

