

Product Information

Applicable product:	
Single-hole bathroom sink	K-2196-1
Single-hole bathroom sink without overflow	K-2196-1N
Single-hole bathroom sink without overflow; soap dispenser on right	K-2196-1K
Single-hole bathroom sink without overflow; soap dispenser on left	K-2098-1
Single-hole bathroom sink with overflow; soap dispenser on left	K-2196-1F
Single-hole bathroom sink with overflow; soap dispenser on right	K-2196-1L
Single-hole bathroom sink with overflow; soap dispenser on left	K-2196-1R

Fixture*:	
Basin area	16" (406 mm) x 11" (279 mm)
Water depth	4" (102 mm)
Drain hole	Ø 1-3/4" (44 mm)
*Approximate measurements for comparison only.	

Holes	
Spout	Ø 1-3/8" (35 mm)
Soap dispenser	Ø 1-1/4" (32 mm)
Included components:	
Cut-out template	1002970-7

Installation Notes

Install this product according to the installation guide.

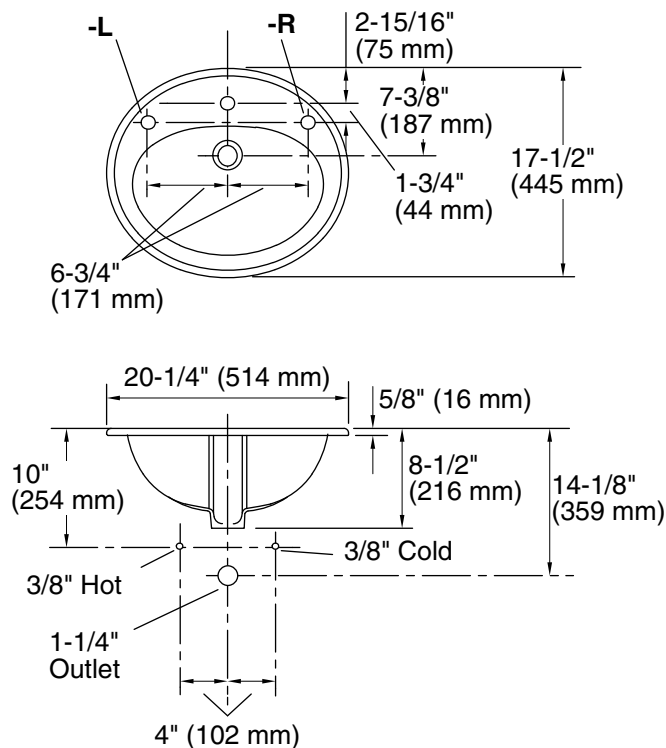
NOTICE: Countertop manufacturer or cutter **must** use the cutout template provided with the product, or a current one provided by Kohler Co. (call 1-800-4KOHLER). Kohler Co. is not responsible for cutout errors when the incorrect cutout template is used.

Will comply with **ADA** when installed per Section 606 Lavatories of the Act.

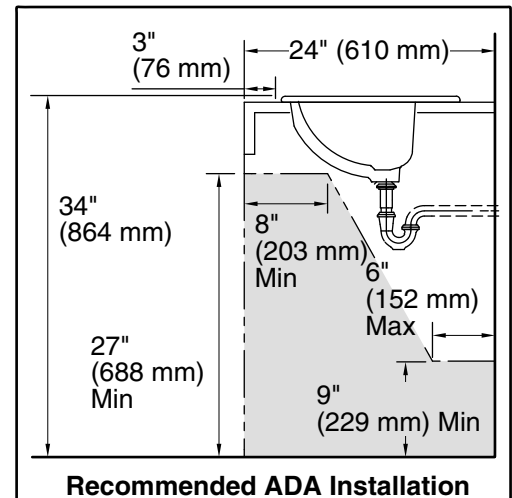
Will comply with **CSA B651** when installed per Clause 4.3.3 of the standard.

Will comply with **OBC** when installed per Clause 3.8.3.11.

The fixture conforms to standard ASME A112.19.2/CSA B45.1. All dimensions are nominal.



Standard Installation



Recommended ADA Installation