

# KOHLER® Roughing-In

K-1123-LA, K-1123-RA  
ARCHER™

5' BATH WITH INTEGRAL APRON

## Product Information

Applicable product:	
Bath with integral apron, left drain	K-1123-LA
Bath with integral apron, right drain	K-1123-RA
Fixture*:	
Bathing well	
Basin area bottom	45-1/8" (1146 mm) x 19-11/16" (500 mm)
Basin area top	52-3/4" (1340 mm) x 25-5/16" (643 mm)
Weight	80 lbs (36.3 kg)
To overflow	
Water depth	15" (381 mm)
Capacity	58 gal (219.5 L)
* Approximate measurements for comparison only.	
Required accessories:	
Clearflo slotted overflow brass bath drain <b>OR</b>	K-7271
Clearflo slotted overflow bath drain – PVC pipe	K-7272

## Installation Notes

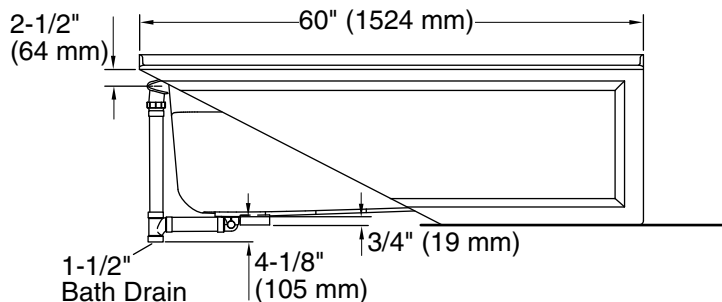
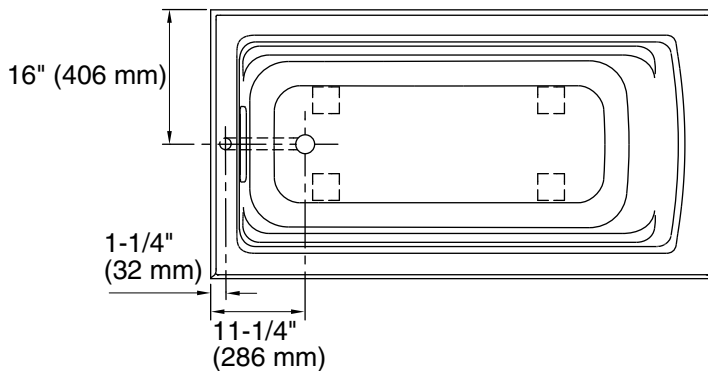
Install this product according to the installation guide.

Floor support under this product must provide for a minimum of 45 lbs/square foot (216 kg/square meter) loading.

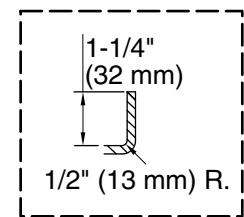
The hot water supply should be 70% of the capacity of the bath or greater. Installations will vary.

Will comply with **ADA** when installed per Section 607 Bathtubs of the Act.

Fixture conforms to CSA B45.5/IAPMO Z124. All dimensions are nominal.



No change in measurements if connected with drain illustrated. (K-7272)



**Integral Flange Detail**

