

### Product Information

Applicable product:		
Countertop bathroom sink, less soap dispenser hole; with overflow	K-2196-8	shown
Countertop bathroom sink with soap dispenser hole on left; with overflow	K-2196-8L	
Countertop bathroom sink with soap dispenser hole on right; with overflow	K-2196-8R	
Countertop bathroom sink, less soap dispenser hole; less overflow	K-2196-8N	not shown
Countertop bathroom sink with soap dispenser hole on right; less overflow	K-2196-8K	
Countertop bathroom sink with soap dispenser hole on left; less overflow	K-2196-8F	
Bathroom sink is ADA compliant when installed according to the ADA guidelines.		<b>ADA</b>
Fixture:*	Basin area	Water depth

Bathroom sink	16" (406 mm) x 11" (279 mm)	4" (102 mm)
Drain hole	1-3/4" (44 mm)	
* Approximate measurements for comparison only.		

Holes	Spout	Faucet	Soap dispenser
	1-3/8" Ø (35 mm)	Ø 1-3/8" (35 mm)	Ø 1-1/4" (32 mm)

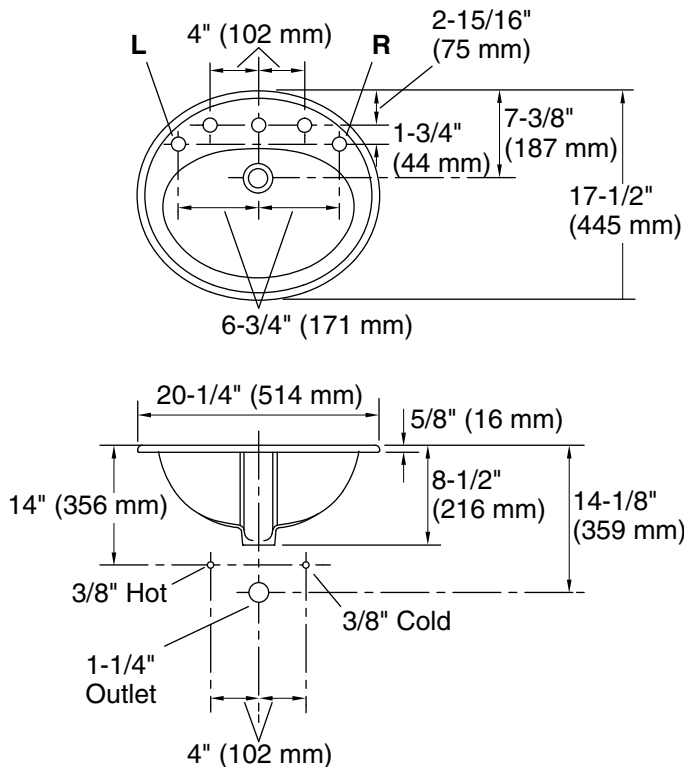
Included components:	
Cut-out template	1002970-7

### Installation Notes

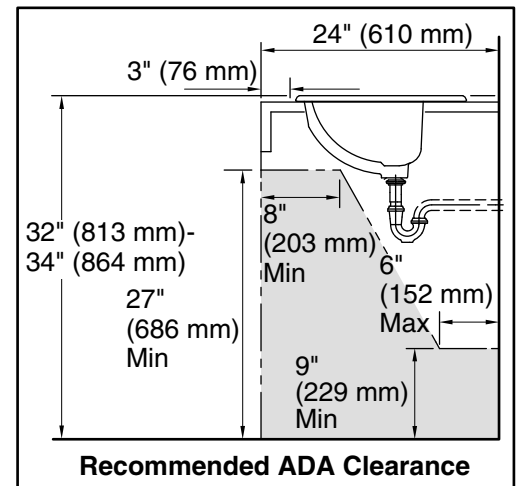
Install this product according to the installation guide.

**NOTICE:** Countertop manufacturer or cutter **must** use the cut-out template provided with the product, or a current one provided by Kohler Co. (call 1-800-4-KOHLER). Kohler Co. is not responsible for cutout errors when the incorrect cut-out template is used.

Fixture dimensions are nominal and conform to tolerances in ASME Standard A112.19.2.



**Standard Installation**



**Recommended ADA Clearance**