

Product Information

Applicable product:		
18" (457 mm) x 12" (305 mm) under-mount bathroom sink with overflow	K-2214	
18" (457 mm) x 12" (305 mm) under-mount bathroom sink with glazed underside, less overflow	K-2214-G	
21" (533 mm) x 14" (356 mm) under-mount bathroom sink with overflow	K-2215	
Fixture*: *Approx. measurements for comparison only.		
Basin area	K-2214, K-2214-G	18-3/8" (467 mm) x 11-5/8" (295 mm)
	K-2215	20-7/16" (519 mm) x 13-1/2" (343 mm)
Water depth	4-5/8" (117 mm)	
Drain hole	Ø 1-3/4" (44 mm)	
Cutout template, K-2214 and K-2214-G		1053195-7
Cutout template, K-2215		1002977-7
Included: Basin clamp assembly		1193643

Installation Notes

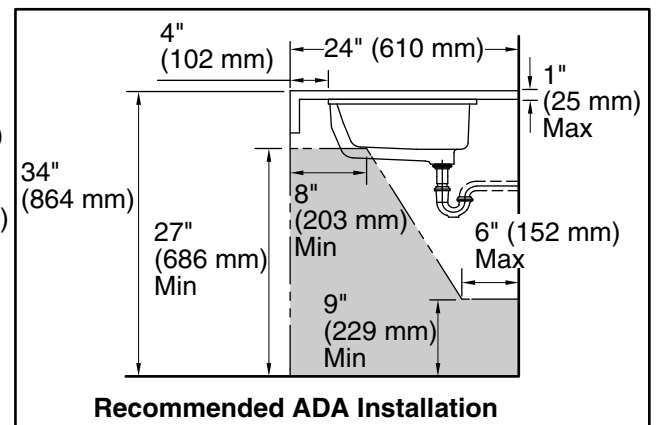
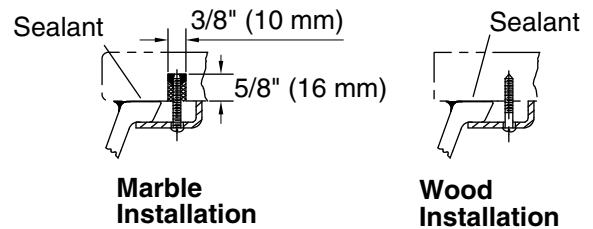
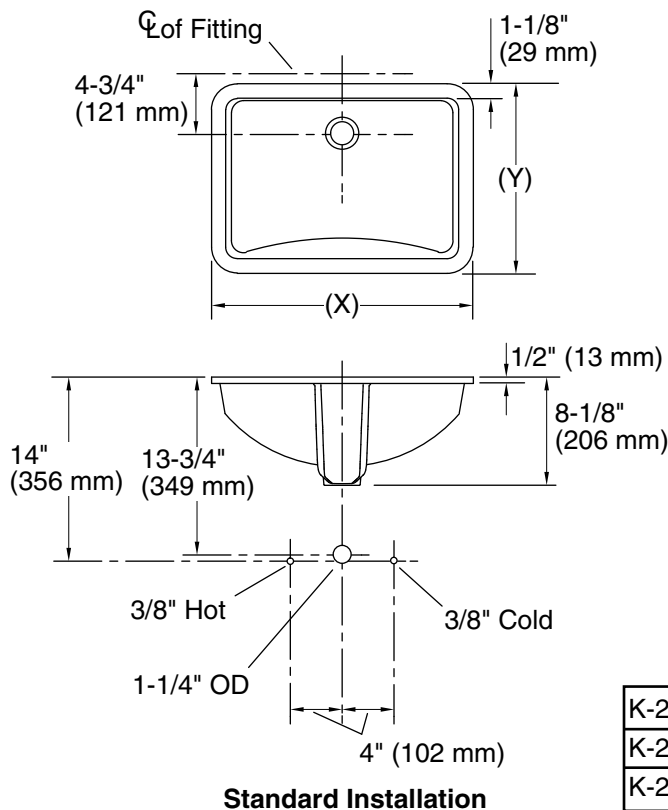
Install this product according to the installation guide.

The product diagram is based on the K-8998 adjustable P-Trap with 1" (25 mm) of tailpiece exposed.

NOTICE: Countertop manufacturer or cutter must use the current product template available at www.kohler.com, or by calling 1-800-4KOHLER. Kohler Co. is not responsible for cutout errors when the incorrect cutout template is used.

Will comply with **ADA** when installed per section 606 Lavatories and Sinks of the 2010 ADA Standards for Accessible Design.

Fixture conforms to standard ASME A112.19.2/CSA B45.1. All dimensions are nominal.



K-2214: (X)= 20-7/8" (530 mm), (Y)= 14-3/8" (365 mm)
K-2214-G: (X)= 20-7/8" (530 mm), (Y)= 14-3/8" (365 mm)
K-2215: (X)= 23-1/4" (591 mm), (Y)= 16-1/4" (413 mm)